



PART NAME

PRINTED CIRCUIT BOARD

PART No.

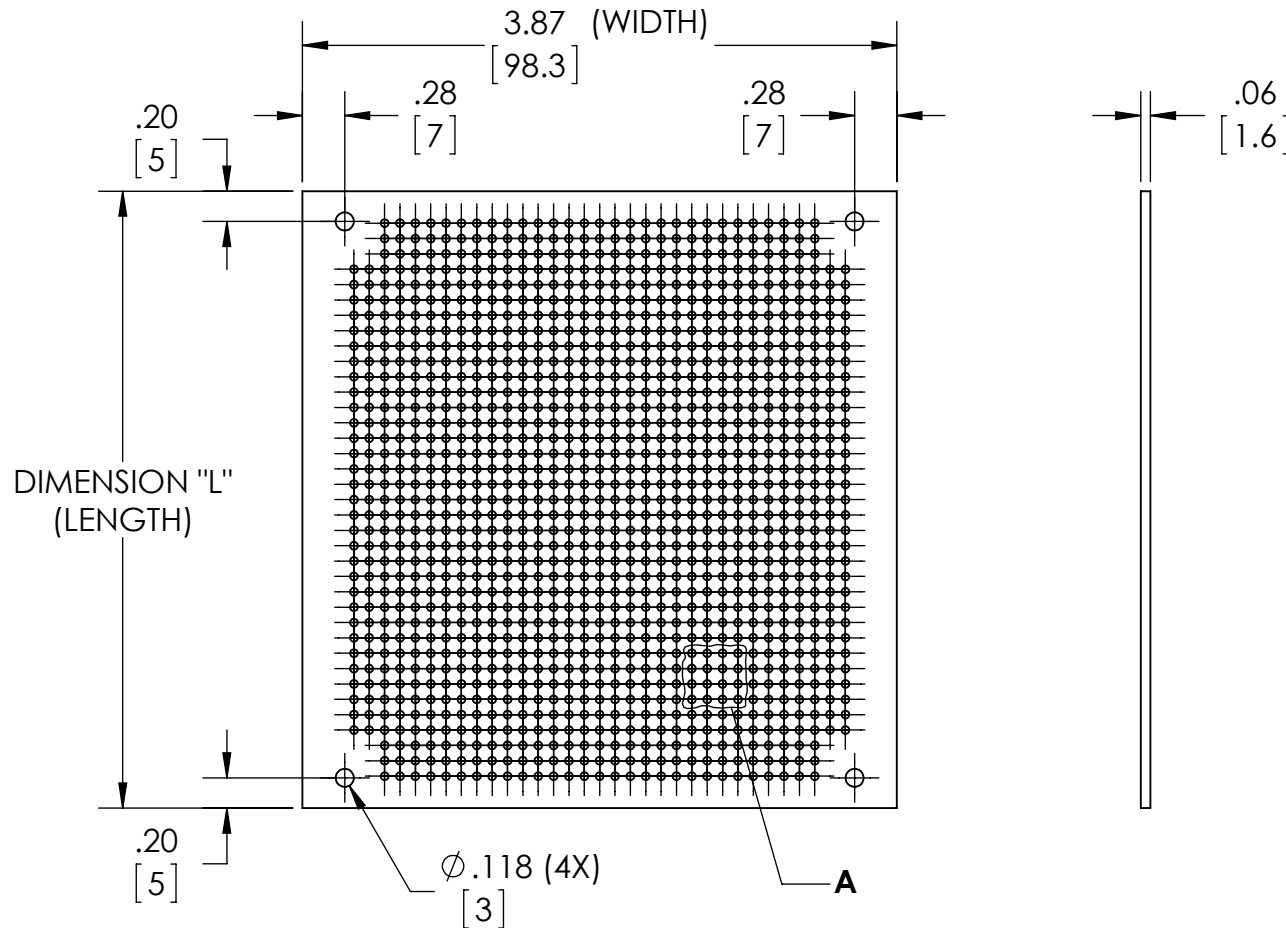
EXN-23403-PCB EXN-23404-PCB
EXN-23405-PCB

REV. DATE

10-13-15

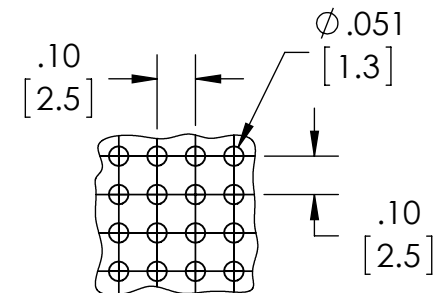
DRAWING FOR REFERENCE

WE RESERVE THE RIGHT TO MAKE CHANGES TO OUR STANDARD PRODUCTS. PLEASE CONSULT WITH BUD INDUSTRIES PRIOR TO USING THIS DRAWING FOR DESIGN PURPOSE.



MATERIAL: GREEN SILICON

DIMENSIONS IN INCH[MM]

**DETAIL A**
SCALE 2 : 1

CIRCUIT BOARD PART NUMBER	DIMENSION "L" CIRCUIT BOARD LENGTH	FITS EXN-SERIES ENCLOSURES WITH ALUMINUM END PANELS:	FITS EXN-SERIES ENCLOSURES WITH PLASTIC END PANELS:
EXN-23403-PCB	2.05 [52]	EXN-23353-GD, -SV, -RD, -BL, -BK EXN-23356-GD, -SV, -RD, -BL, -BK	EXN-23353-GDP, -SVP, -RDP, -BLP, -BKP EXN-23356-GDP, -SVP, -RDP, -BLP, -BKP
EXN-23404-PCB	4.02 [102]	EXN-23354-GD, -SV, -RD, -BL, -BK EXN-23357-GD, -SV, -RD, -BL, -BK	EXN-23354-GDP, -SVP, -RDP, -BLP, -BKP EXN-23357-GDP, -SVP, -RDP, -BLP, -BKP
EXN-23405-PCB	5.98 [152]	EXN-23355-GD, -SV, -RD, -BL, -BK EXN-23358-GD, -SV, -RD, -BL, -BK	EXN-23355-GDP, -SVP, -RDP, -BLP, -BKP EXN-23358-GDP, -SVP, -RDP, -BLP, -BKP