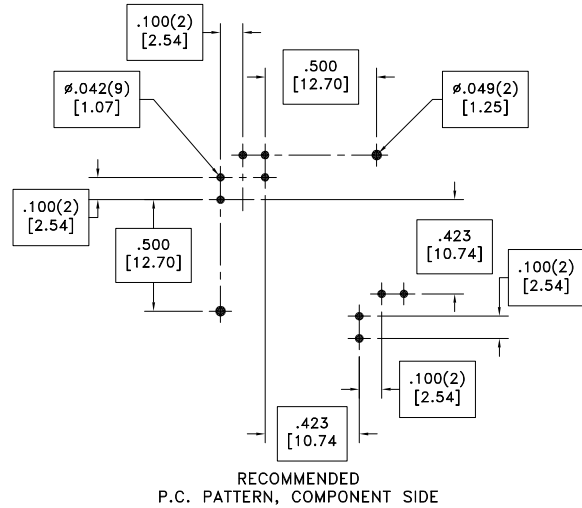
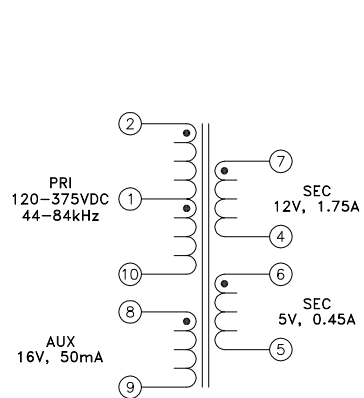
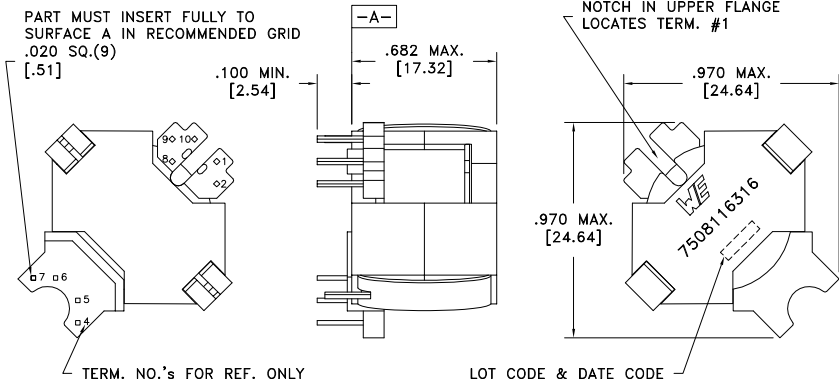


CUSTOMER TERMINAL	RoHS	LEAD(Pb)-FREE
Sn96%, Ag4%	Yes	Yes

more than you expect



ELECTRICAL SPECIFICATIONS @ 25°C unless otherwise noted:

PARAMETER	TEST CONDITIONS	VALUE
D.C. RESISTANCE	2-10 @20°C	0.897 ohms ±10%
D.C. RESISTANCE	4-7 @20°C	0.026 ohms ±20%
D.C. RESISTANCE	5-6 @20°C	0.018 ohms ±20%
D.C. RESISTANCE	8-9 @20°C	0.308 ohms ±10%
INDUCTANCE	2-10 10kHz, 100mVAC, Ls	742uH ±10%
SATURATION CURRENT	2-10 20% rolloff from initial	2.6A
LEAKAGE INDUCTANCE	2-10 tie(4+5+6+7, 8+9), 100kHz, 100mVAC, Ls	12.9uH typ., 19.4uH max.
DIELECTRIC	2-7 tie(4+5), 3900VAC, 1 second	3900VAC, 1 minute
DIELECTRIC	2-8 625VAC, 1 second	500VAC, 1 minute
TURNS RATIO	(2-10):(7-4)	8.89:1, ±1%
TURNS RATIO	(7-4):(6-5)	2.25:1, ±1%
TURNS RATIO	(8-9):(7-4)	1.33:1, ±1%

GENERAL SPECIFICATIONS:

OPERATING TEMPERATURE RANGE: -40°C to +125°C including temp rise.

Designed to comply with the following requirements as defined by IEC61558-2-16 and EN61558-2-16, Amendment 1:
 - Reinforced insulation for a primary circuit at a working voltage of 265Vrms, 400Vpeak (operating frequency of <2MHz).

Wire insulation & RoHS status not affected by wire color.
 Wire insulation color may vary depending on availability.

REV.	DATE	Packaging Specifications	CONVENTION PLACEMENT
		Method: Tray PKG-0027 www.we-online.com/midcom	
6A	12/16	SEE REVISION SHEET FOR REVISION LEVEL	

Tolerances unless otherwise specified:
 Angles: ±1°
 Decimals: ±.005 [.13]
 Fractions: ±1/64 Footprint: ±.001 [.03]
 This drawing is dual dimensioned. Dimensions in brackets are in millimeters.

DRAWING TITLE
TRANSFORMER
 eiSos p/n: 7508116316

PART NO.
7508116316
 SPECIFICATION SHEET 1 OF 1

