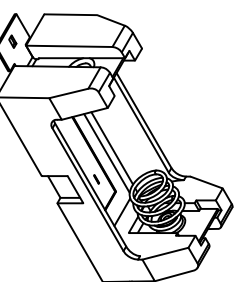
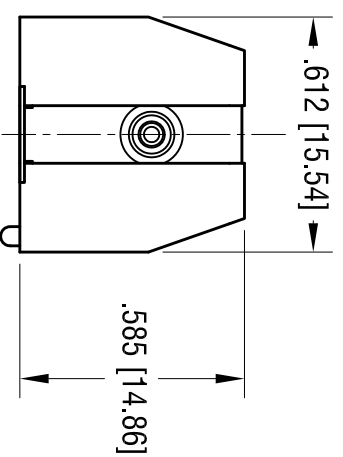
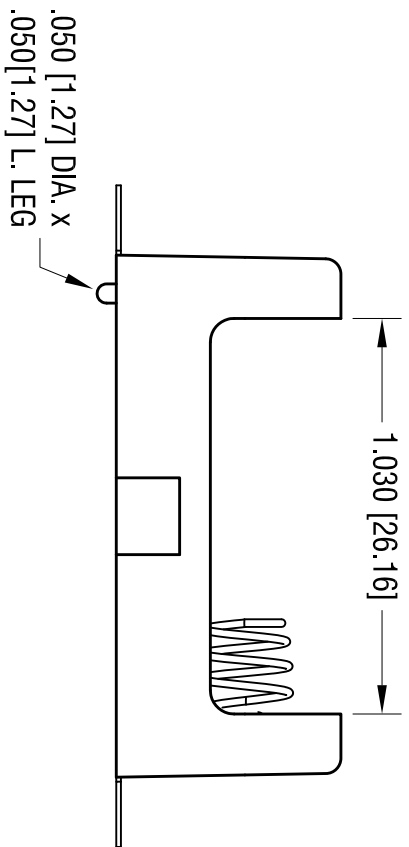
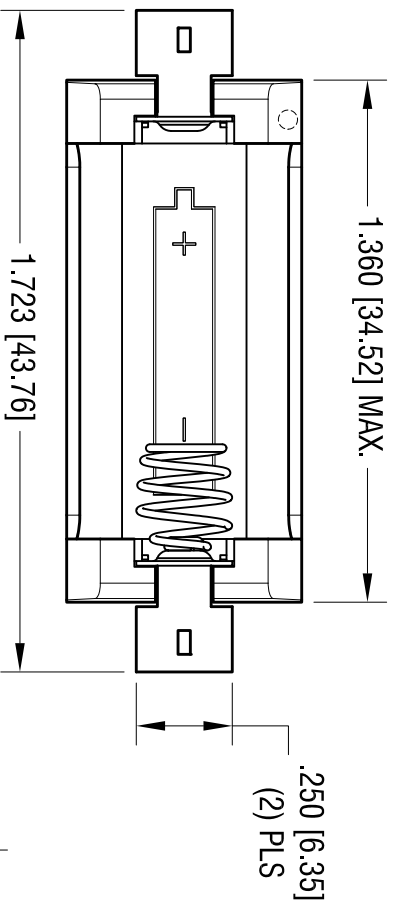
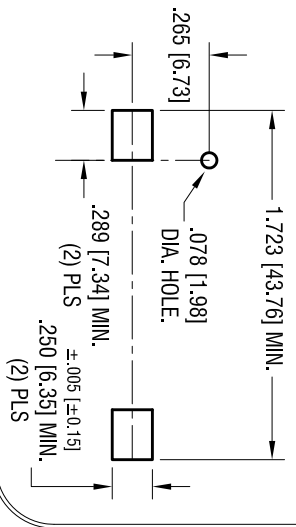


MOUNTING PAD LAYOUT



ACTUAL SIZE

- NOTE:**
- 1. BASE:**
MAT'L: HEAT RESISTANCE NYLON
STANLYL 46 OR EQUIVALENT
 - 2. CONTACTS:**
MAT'L: BASE-.012 [0.30] THK STAINLESS STEEL
SPRING-.020 [0.50] DIA. MUSIC WIRE
FINISH: GOLD FLASH, OVER NICKEL PLATE.

DATE	DESCRIPTION	REV.

KEYSTONE ELECTRONICS CORP.
www.keystec.com • ASTORIA, N.Y. 11105-2017 • Tel (718) 956-8900

PART NAME
SM BATTERY HOLDER, 1/2 AA

MATERIAL
AS NOTED

FINISH
AS NOTED

TOLERANCES	INCH	[MM]	CODE	DWG NO.
DECIMAL	± .010	[± 0.25]	C	1126
ANGULAR	± 1°			

THIS DOCUMENT IS THE PROPERTY OF KEYSTONE ELECTRONICS CORP. AND SHALL NOT BE REPRODUCED, DISTRIBUTED OR USED AS A BASIS FOR MANUFACTURE WITHOUT PRIOR WRITTEN PERMISSION FROM KEYSTONE ELECTRONICS CORP.

DRN BY	DATE
NT	10.31.14
APP'D	SCALE
LN	2X