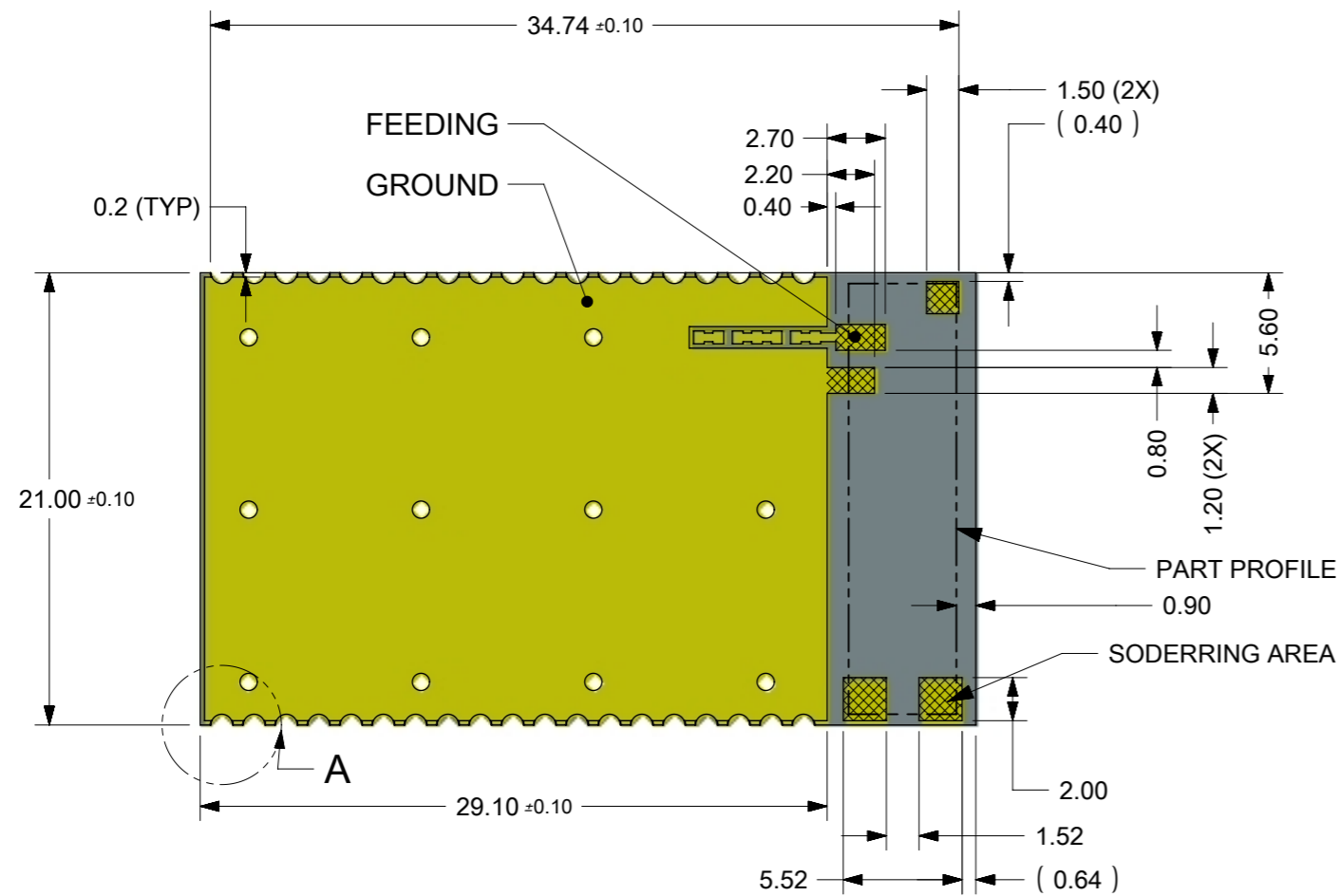


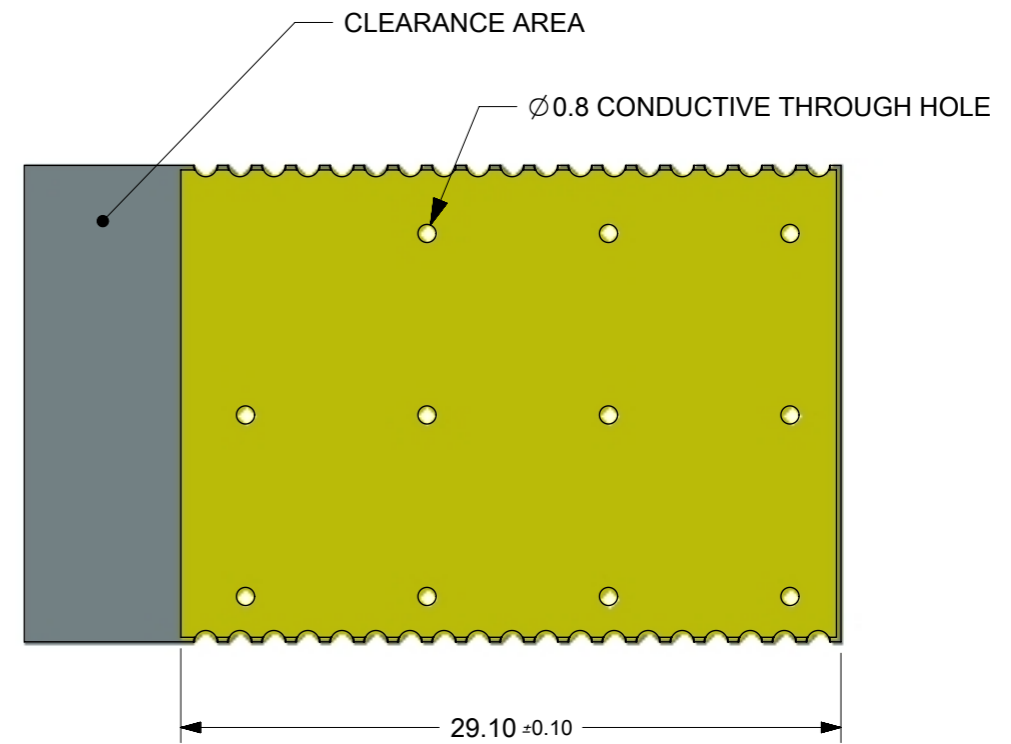
- NOTES:
- 1.MATERIAL: CERAMIC
  - 2.PLATING: Ag 11um +/-4um
  - 3.PACKAGE SPEC. REFER TO PK OF 2019320001
  - 4.PRODUCT SPEC. REFER TO PS OF 2019320001
  - 5.APPLICATION SPEC. REFER TO AS OF 2019320001

THIS DRAWING CONTAINS INFORMATION THAT IS PROPRIETARY TO MOLEX ELECTRONIC TECHNOLOGIES, LLC AND SHOULD NOT BE USED WITHOUT WRITTEN PERMISSION										
<b>QUALITY SYMBOLS</b> FA = 0 FE = 0 FP = 0 TV = 0 CV = 0 X = 0 ■ = 0 V = 0	2016/08/24	2017/06/09	GENERAL TOLERANCES (UNLESS SPECIFIED)		DIMENSION UNITS	SCALE				
	DRWN BY	DATE	ANGULAR TOL ± °		MM					
	EC NO: 117699 DRWN: TZHOU07 CHK'D: YXGAO04 APPR: XJSONG	2016/08/24	2017/06/09	4 PLACES	±	TZHOU07	2016/08/24	SD FOR TRIPLE BAND WIFI ANTENNA		
		3 PLACES	± 0.1	CHK'D BY	DATE	YXGAO04	2017/06/09			
		2 PLACES	± 0.2	APPR BY	DATE	XJSONG	2017/06/09	PRODUCT CUSTOMER DRAWING		
		1 PLACE	± 0.3	DRAWING SIZE	THIRD ANGLE PROJECTION	A3	<input checked="" type="checkbox"/>	SERIES	MATERIAL NUMBER	CUSTOMER
	0 PLACES	±	DRAFT WHERE APPLICABLE MUST REMAIN WITHIN DIMENSIONS				201932	2019320001		
							DOCUMENT NUMBER	DOC TYPE	DOC PART	SHEET NUMBER
							2019320001	PSD	000	1 OF 2

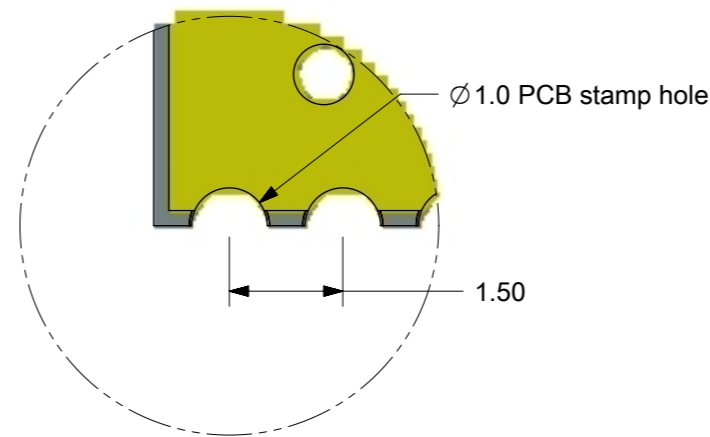


FRONT VIEW

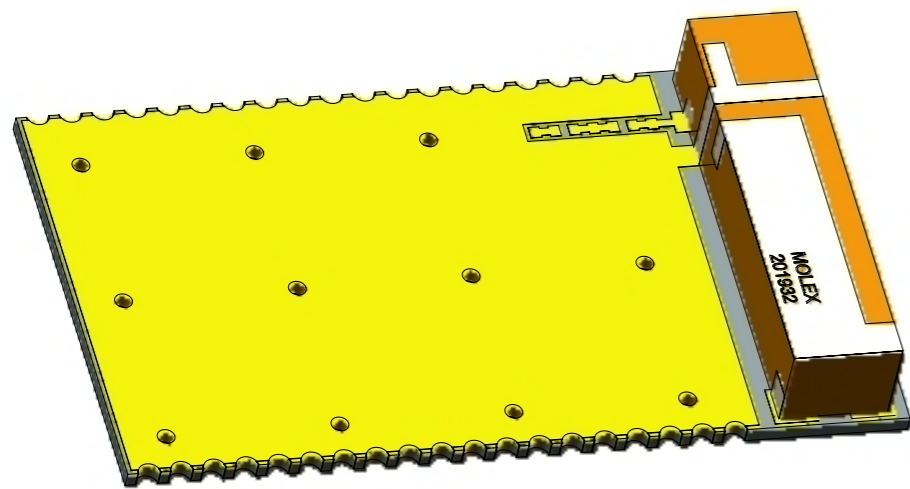
RECOMMENDED PCB LAYOUT  
THICKNESS 0.8mm  
GENERAL PCB TOLERANCE ±0.05



BACK VIEW



DETAIL A  
SCALE 10:1



THIS DRAWING CONTAINS INFORMATION THAT IS PROPRIETARY TO MOLEX ELECTRONIC TECHNOLOGIES, LLC AND SHOULD NOT BE USED WITHOUT WRITTEN PERMISSION											
QUALITY SYMBOLS	EC NO: 117699 DRWN: TZHOU07 CHK'D: YXGAO04 APPR: XJSONG	2016/08/24 2017/06/09 2017/06/09	GENERAL TOLERANCES (UNLESS SPECIFIED)		DIMENSION UNITS	SCALE					
			ANGULAR TOL ± °		MM						
▽A = 0	DRAFT WHERE APPLICABLE MUST REMAIN WITHIN DIMENSIONS	A REV	4 PLACES ±		DRWN BY	DATE	SD FOR TRIPLE BAND WIFI ANTENNA				
▽E = 0				TZHOU07	2016/08/24						
▽F = 0				CHK'D BY	DATE	PRODUCT CUSTOMER DRAWING					
▽ = 0				YXGAO04	2017/06/09						
▽C = 0				APPR BY	DATE	SERIES	MATERIAL NUMBER	CUSTOMER			
▽ = 0				XJSONG	2017/06/09	201932	2019320001				
▽ = 0				DRAWING SIZE	THIRD ANGLE PROJECTION			DOCUMENT NUMBER	DOC TYPE	DOC PART	SHEET NUMBER
▽ = 0				A3				2019320001	PSD	000	2 OF 2