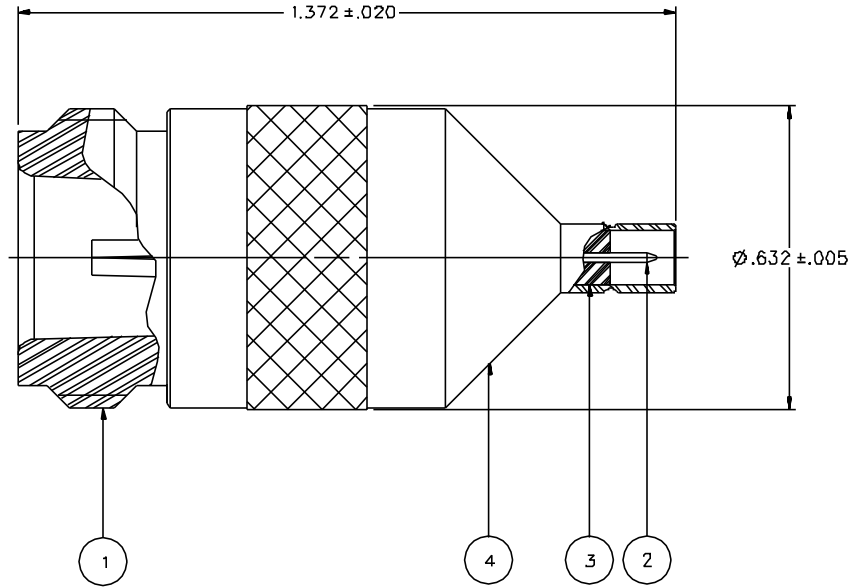


PART NUMBER 134-1069-031	ITEM ① N BODY STAINLESS STEEL PASSIVATED	ITEM ② CONTACT BERYLLIUM COPPER GOLD PL .00003 MIN OVER NICKEL PL .00005 MIN OVER COPPER PL .00005 MIN	ITEM ③ INSULATOR TEFLON	ITEM ④ REAR BODY STAINLESS STEEL PASSIVATED
-----------------------------	---	---	-------------------------------	--

DRAWING NO. C - 134-1069-031/040	
0	REVISIONS
ENGINEERING RELEASE	
1	1-15-92 R H R R R R R R 1-16-92 ECN 40820
ADDED: 1000 VRMS DMV TO SPECS	
2	6-18-92 R H R R R R R R 6-23-92 ECN 41092
VERSION UPDATE	
* REVISION NUMBER FOLLOWED BY AN ALPHA *	
* CHARACTER INDICATES DRAWING CLARIF. *	
* CATION OR PART NUMBER ADDITION ONLY. *	
2a	6-18-99 R H R R R R R R ECN 46488



NOTES:

1. SPECIFICATIONS:

IMPEDENCE: 75 OHMS
 FREQUENCY RANGE: 0-7 GHz
 VSWR: 1.05 ± .01F MAX (F IN GHz)
 WORKING VOLTAGE: 335 VRMS MAX AT SEA LEVEL
 DIELECTRIC WITHSTANDING VOLTAGE: 1000 VRMS MIN AT SEA LEVEL
 INSULATION RESISTANCE: 1000 MEGOHM MIN
 CONTACT RESISTANCE:
 CENTER CONTACT - INITIAL 12 MILLIOHM MAX, AFTER ENVIRONMENTAL 16 MILLIOHM MAX
 OUTER CONDUCTOR - PASSIVATED INITIAL 2.5 MILLIOHM MAX, AFTER ENVIRONMENTAL 3.5 MILLIOHM MAX
 BRAID TO BODY - NOT APPLICABLE
 CORONA LEVEL: NOT APPLICABLE
 INSERTION LOSS: NOT APPLICABLE
 RF LEAKAGE: NOT APPLICABLE
 RF HIGH POTENTIAL WITHSTANDING VOLTAGE: 600 VRMS AT 4 AND 7 MHZ
 MECHANICAL:

ENGAGE/DISENGAGE FORCE (MINI/SMB): INITIAL 14 LBS MAX AFTER DURABILITY 14 LBS MAX
 ENGAGEMENT: 2 LBS MIN DISENGAGEMENT

MATING TORQUE (75 OHM TYPE N): 6 IN-LB MIN WITH MATING PART
 COUPLING PROOF TORQUE: NOT APPLICABLE
 COUPLING NUT RETENTION: NOT APPLICABLE
 CONTACT RETENTION: 4 LBS MIN AXIAL FORCE
 CABLE ACCEPTABILITY: NOT APPLICABLE
 CABLE HEX CRIMP SIZE: NOT APPLICABLE
 CABLE RETENTION: NOT APPLICABLE
 DURABILITY: 500 CYCLES MIN

ENVIRONMENTAL:


(MEETS OR EXCEEDS THE APPLICABLE PARAGRAPH OF MIL-C-39012)
 THERMAL SHOCK: MIL-STD-202, METHOD 107, CONDITION B
 OPERATING TEMPERATURE: -65 DEG C TO 165 DEG C
 CORROSION: MIL-STD-202, METHOD 101, CONDITION B
 SHOCK: MIL-STD-202, METHOD 213, CONDITION B
 VIBRATION: MIL-STD-202, METHOD 204, CONDITION B

CUSTOMER DRAWING

THIS DRAWING TO BE INTERPRETED PER ANSI Y 14.5M - 1982

"µSTATION"

COMPANY CONFIDENTIAL

TOLERANCE UNLESS OTHERWISE SPECIFIED	DRAWN BY VET	DATE 5-29-91	 Cinch Connectivity Solutions 299 Johnson Ave, Ste. 100 Woonsocket, RI 02895 1-800-247-8256	
DECIMALS .XX	CHECKED BY VET	DATE 1-15-92	TITLE ADAPTER ASSEMBLY 75 OHM TYPE N JACK - MINI 75 OHM SMB JACK	
.XXX	APPROVED BY TAK/RJB	DATE 1-15-92	CODE NO.	DRAWING NO. C - 134-1069-031/040
FINISH	RELEASE DATE 1-16-92	SCALE 5:1	U/W INCH	SHEET 2 OF 2