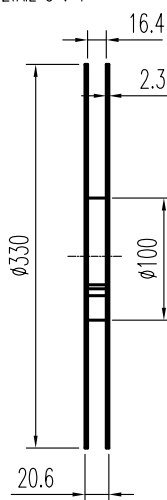
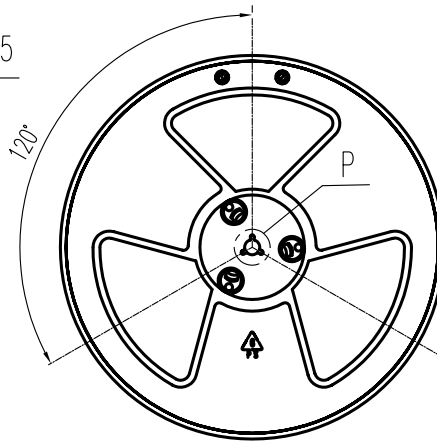
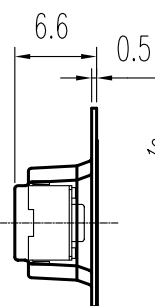
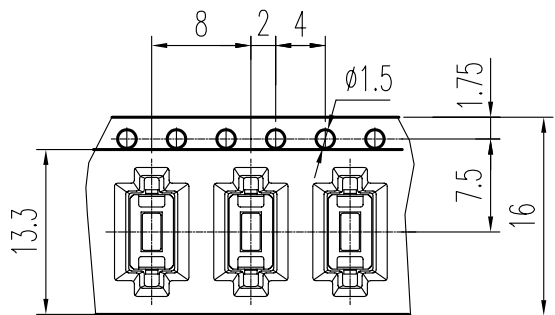
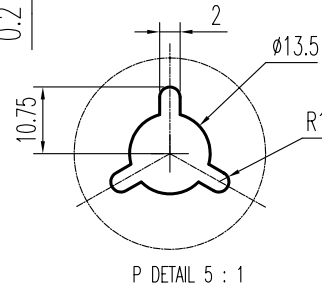
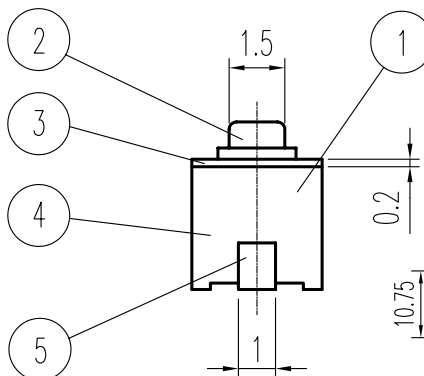
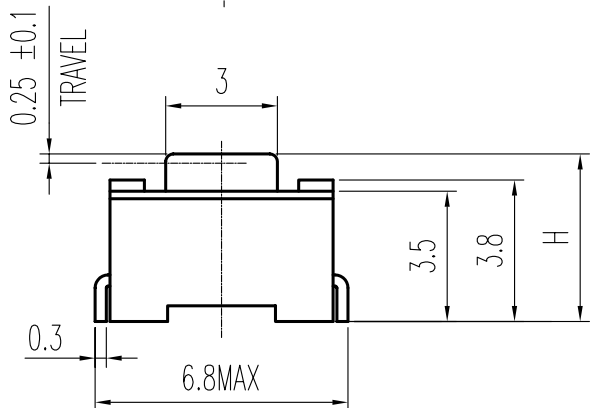
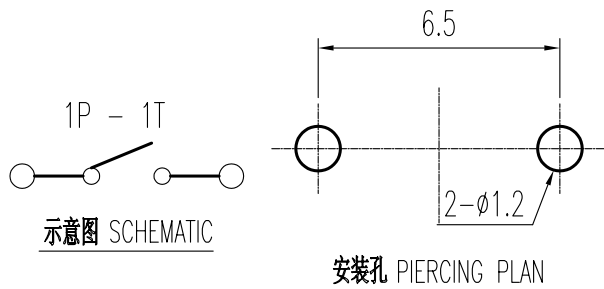


H	
A	4.3
B	5

FORCE (gf)		KNOB COLOR
1	180 ± 50	NATURAL(NK)
3	250 ± 50	BLACK(BK)/BLUE(BU)



TOTAL 1250PCS PER REEL.



规格 Specifications

额定负荷 Ratings	DC 12 V 50 m A
初期接触电阻 Initial Contact Resistance	100 mΩ Max.
绝缘电阻 Insulation Resistance	DC 100 V 60 Sec. 100 MΩ Min.
抗电强度 Dielectric	AC 250 V(50~60HZ) 60 Sec.
操作力 Operating Force	操作力见上表
负荷寿命 Operating Life With Load	30,000 次 Cycles

5	端子 TERMINAL	C2680R	2	Ag PLATED				
4	弹片 SPRING PLATE	SUS	1	Ag CLAD				
3	盖片 COVER	SUS	1	NATURAL	A02	PA9T	PA 见①	刘红梅 06-05-30
2	胶柄 KNOB	PA ①	1		A01			杨静华 05/12/30
1	胶壳 HOUSING	PA ①	1	BLACK C	标号 REV	内容 DESCRIPTION	签名 SIGN.	日期 DATE
序NO.	零件 PART	材料 MATERIAL	数量 QTY	备注 REMARKS	DWG NO. ITEM2601			

TOLERANCES UNLESS OTHERWISE SPEC.		TITLE	TACT SWITCH		ITEM NO	RS-032G05 -NH RT		
UNDER 1	± 0.10	DRAWN	刘红梅	06-05-30	VERSION	A02	PAGE 1	OF 1
1 - 10	± 0.30	REVIEWED	张念明	06-06-01	SCALE		UNIT	mm
OVER 10	± 0.50	APPROVED	高洪	06-06-02	PROJECTION			

COMAX ELECTRONICS (HUIZHOU) CO.,LTD.