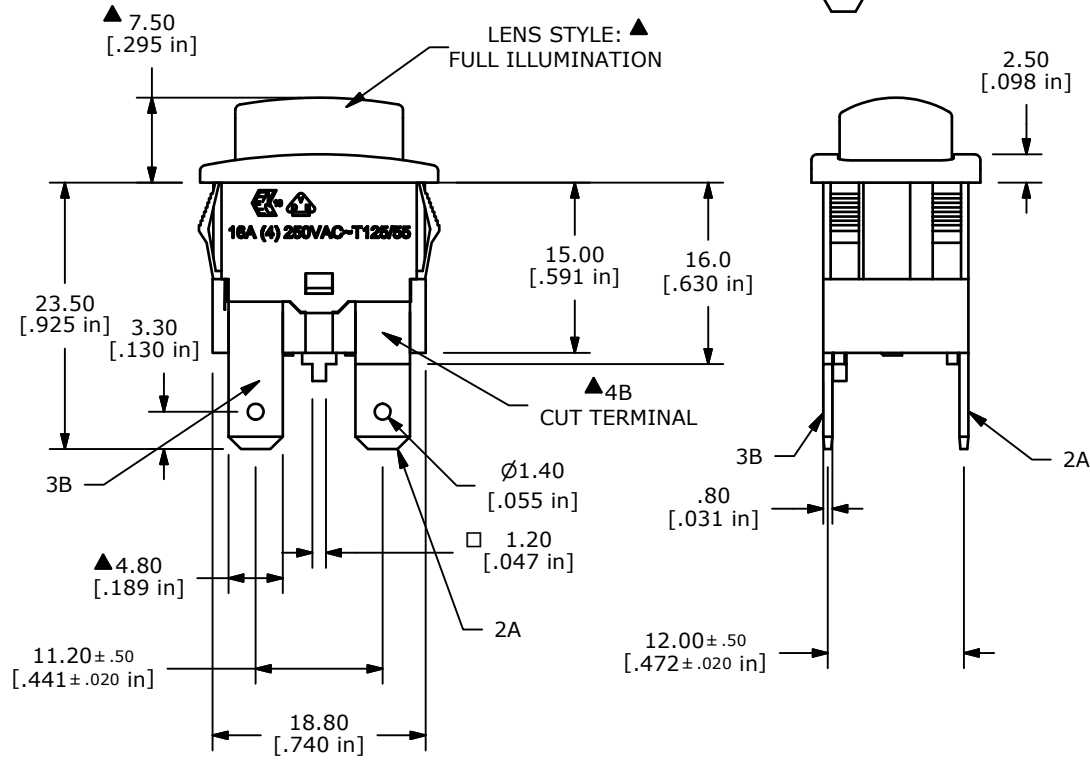
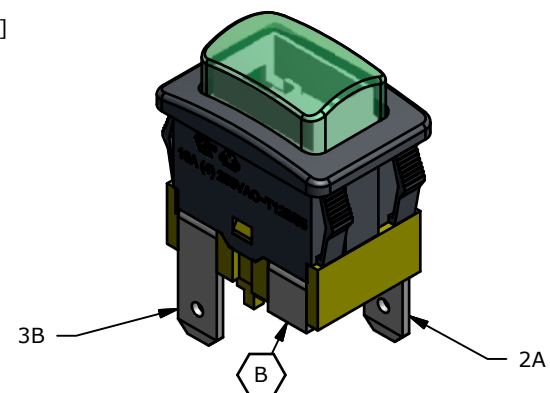
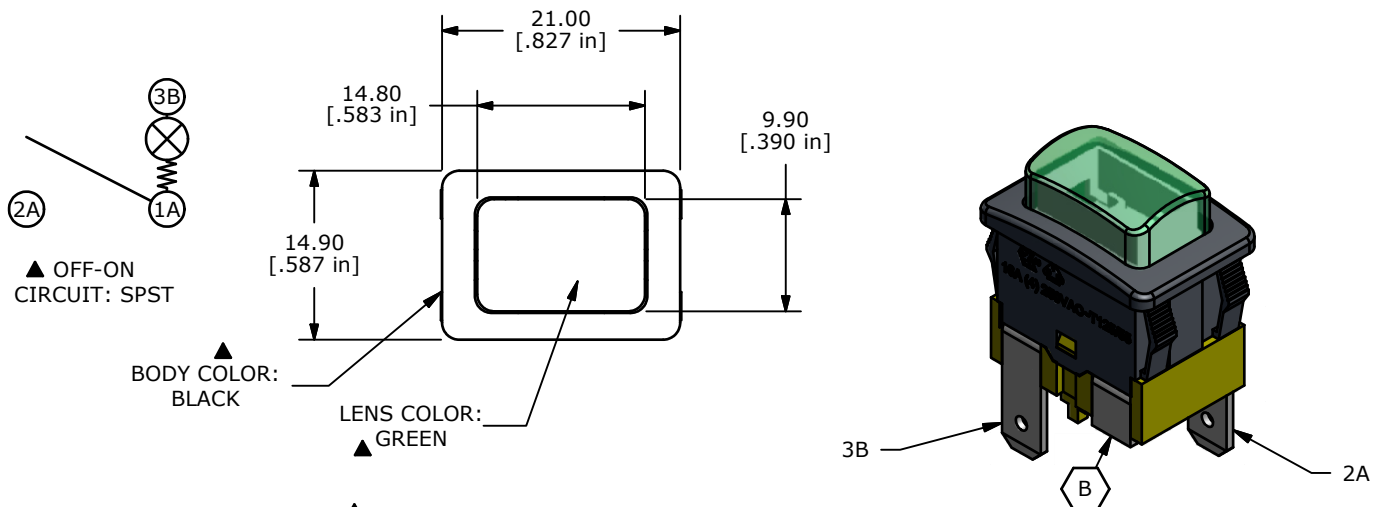


PANEL THICKNESS	X
0.75-1.25	19.2
1.25-2.00	19.4
2.00-3.00	19.8

RECOMMENDED  
PANEL CUT-OUT



- NOTES:
- ALL DIMENSIONS IN MM [INCH]
  - GENERAL TOLERANCE: X.X=± 0.4  
X.XX=± 0.25
  - ELECTRICAL LIFE: 6,000 [cURus]  
10,000 [VDE]
  - CONTACT RESISTANCE: 20 mΩ MAX. INITIAL
  - INSULATION RESISTANCE: 100 MΩ AT 500VDC
  - OPERATING TEMPERATURE: -20°C TO +65°C [cURus]  
-20°C TO +125°C [VDE]
  - CONTACT RATING: 16A, 125VAC-250VAC, [cURus]  
16(4)A, 250VAC, T125/55 [VDE]
  - DIELECTRIC STRENGTH: 1000VAC FOR 1 MINUTE
  - ILLUMINATION VOLTAGE: 125V
  - TERMINALS TO BE SILVER PLATED
  - ▲ DENOTES CRITICAL PARAMETER
  - 2002/95/EC (RoHS) COMPLIANT.

C	21535	Change Housing Locking Tab	8/1/14	rc
B	20974	REMOVE EXTRA TERMINAL	1/18/13	EBP
A	20931	INITIAL RELEASE	12/17/12	EBP
REV	PCR NO	DESCRIPTION	DATE	BY

THE INFORMATION CONTAINED IN THIS DOCUMENT IS PROPRIETARY TO E-SWITCH AND IS NOT TO BE COPIED OR TRANSFERRED



TITLE				
PA411C1000-136				
SCALE	DATE	DR	DWG	REV
	12/18/2012	EBP	14-PA411C1000136	C