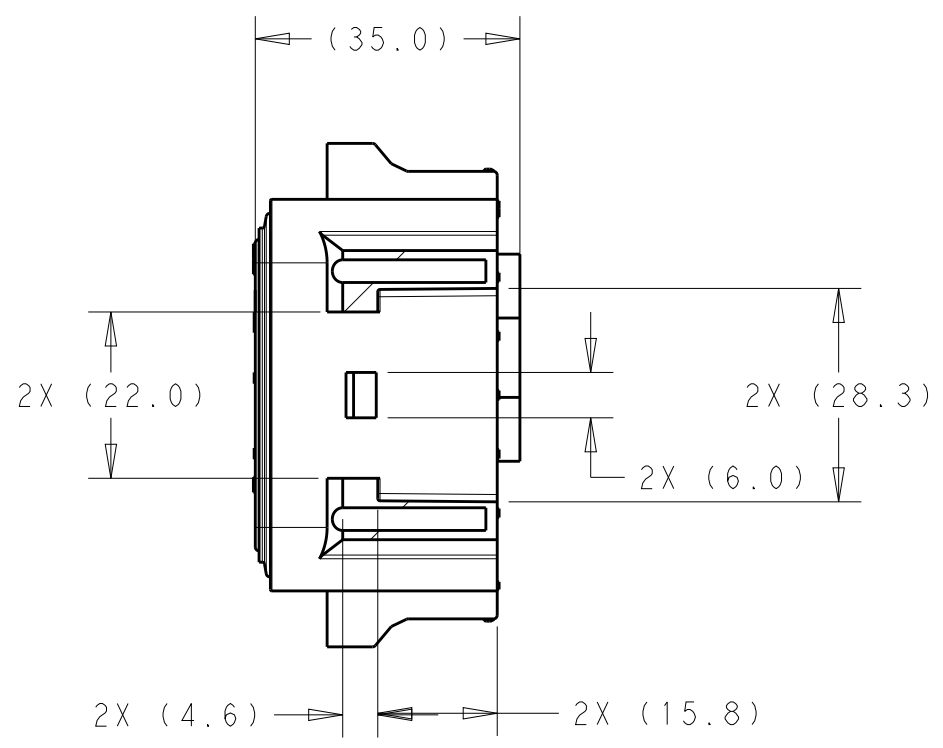
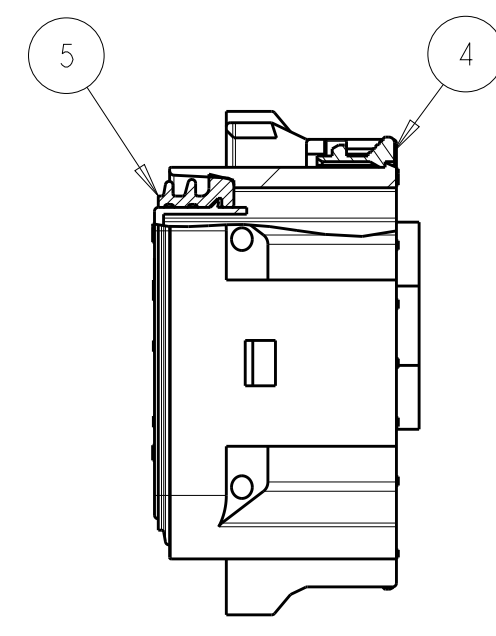
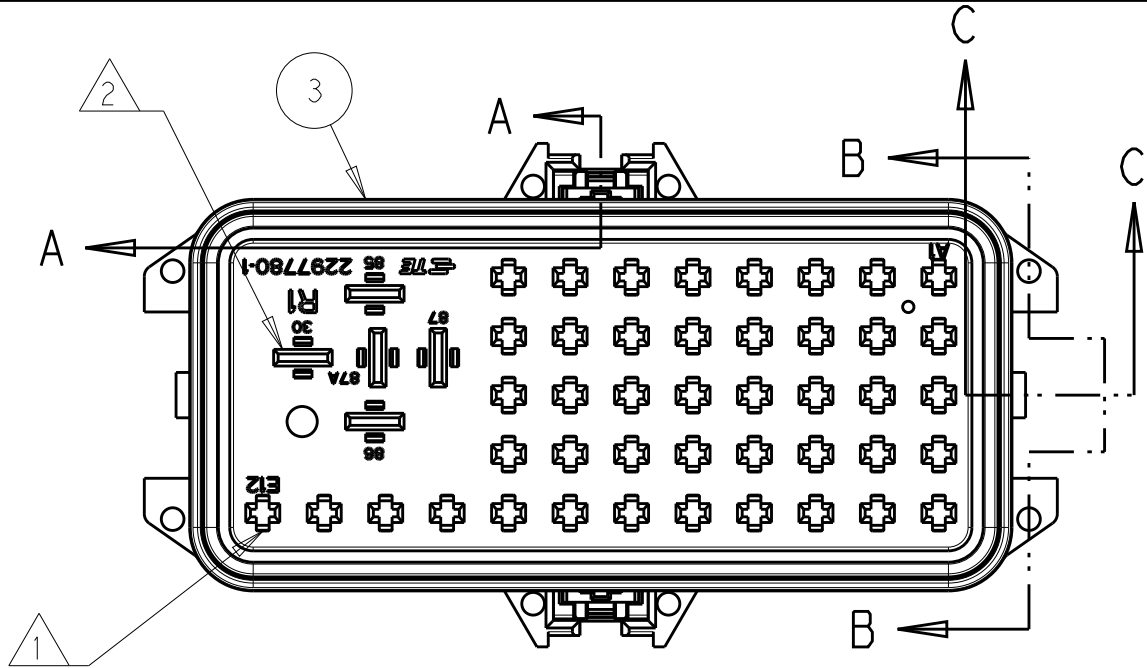
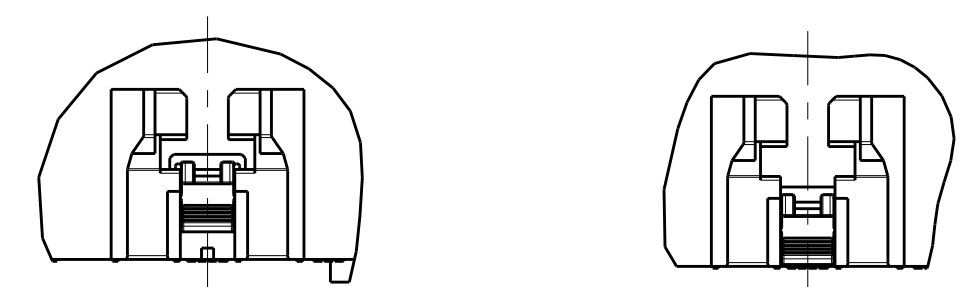
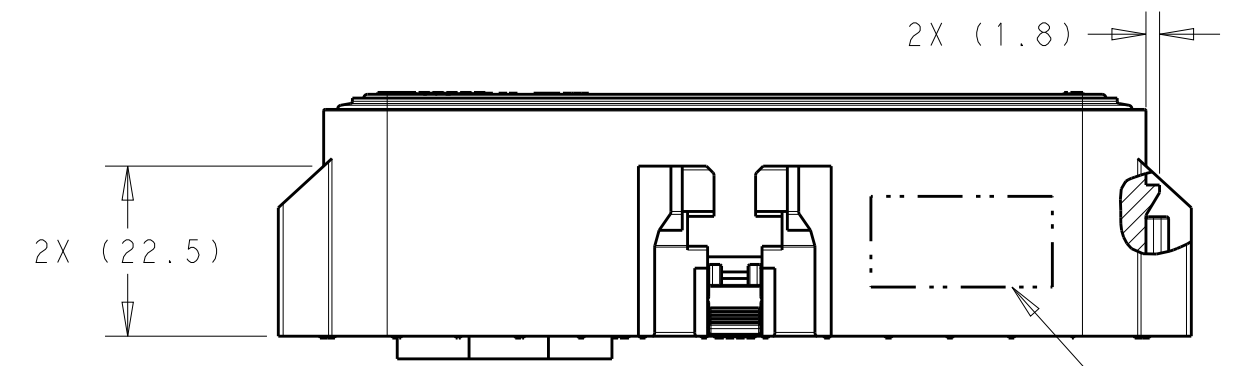


THIS DRAWING IS UNPUBLISHED. RELEASED FOR PUBLICATION 20
 © COPYRIGHT 20 BY - ALL RIGHTS RESERVED.

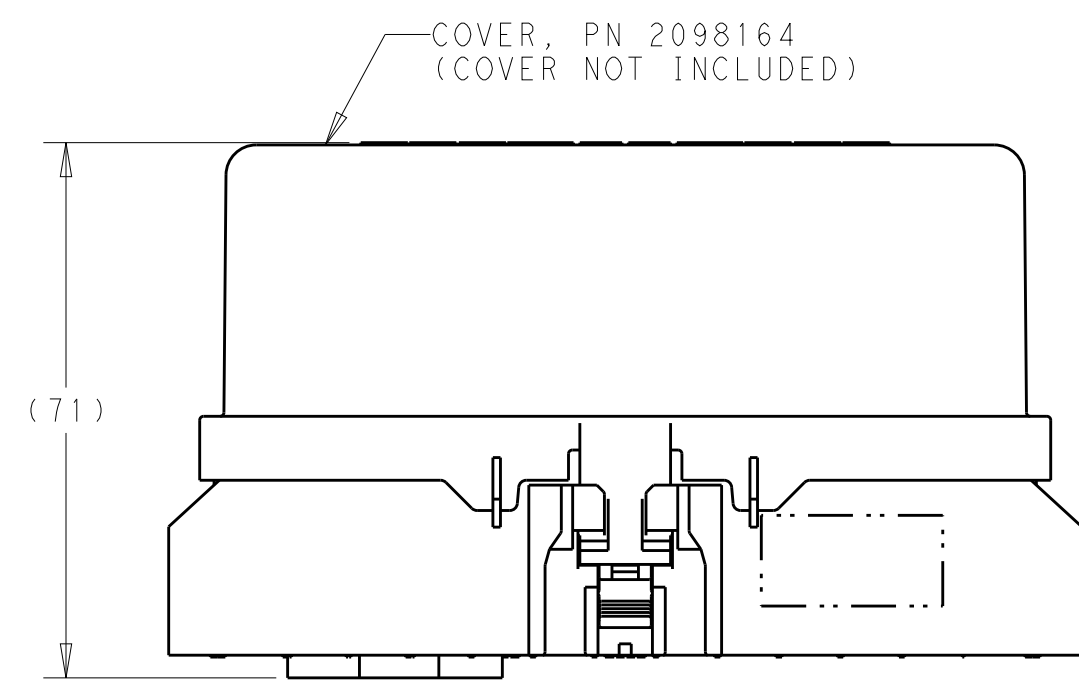
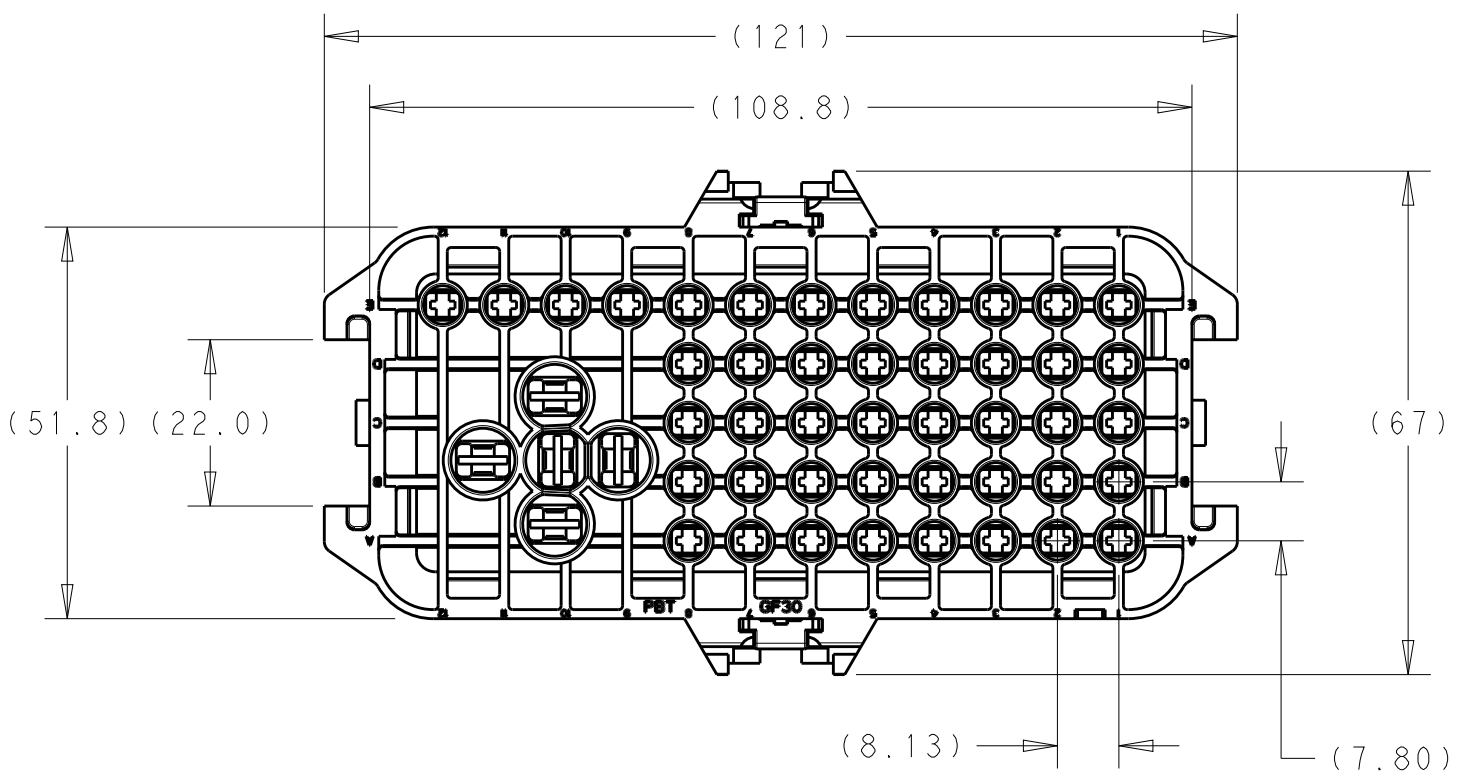
REVISIONS					
P	LTR	DESCRIPTION	DATE	DWN	APVD
A		RELEASED PER ECO-16-006699	04MAY2016	DLD	DCS
A1		ECO-17-015014	12OCT2017	DS	DS
B		REV PER ECO-18-005085	05APR2018	JM	DS



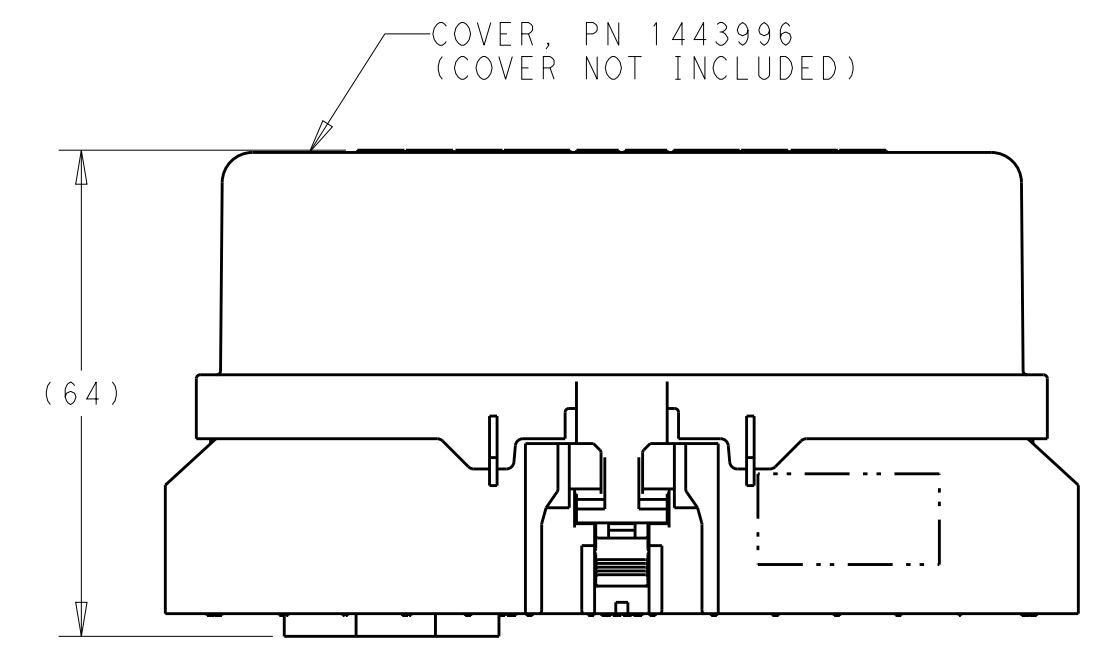
- 1 SEE TE CONNECTIVITY CUSTOMER DRAWING 1355036 FOR TERMINAL SELECTION. MAX WIRE SIZE 14 AWG FOR SEALED WIRE APPLICATION.
- 2 SEE TE CONNECTIVITY CUSTOMER DRAWING 1241438 FOR TERMINAL SELECTION. MAX WIRE SIZE 10 AWG FOR SEALED WIRE APPLICATIONS.
- 3 PART NUMBER AND DATE CODE, DDDYY, IN THIS AREA.



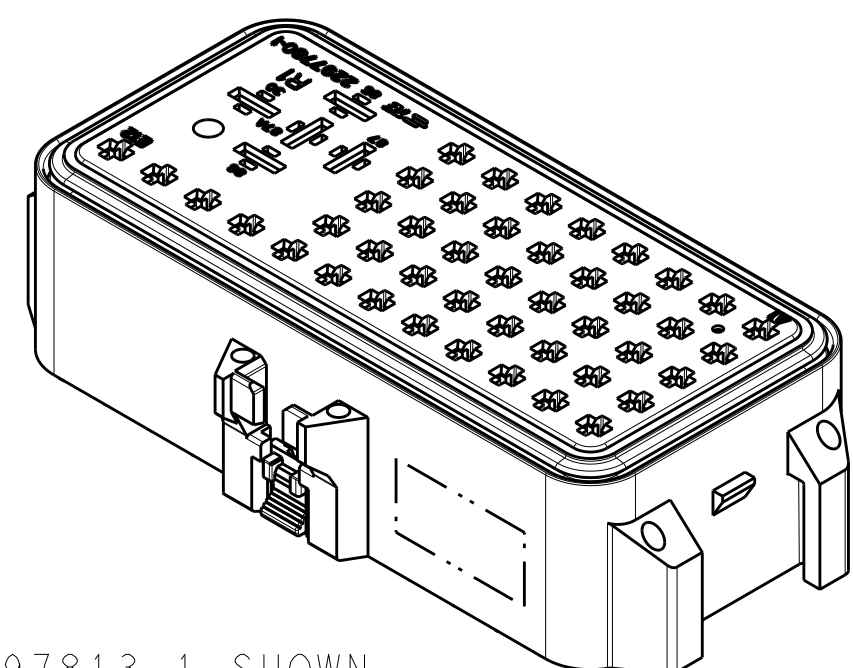
CPA CLOSED POSITION CPA OPEN POSITION (AS SHIPPED)



VIEW FOR REFERENCE ONLY



VIEW FOR REFERENCE ONLY



2297813-1 SHOWN

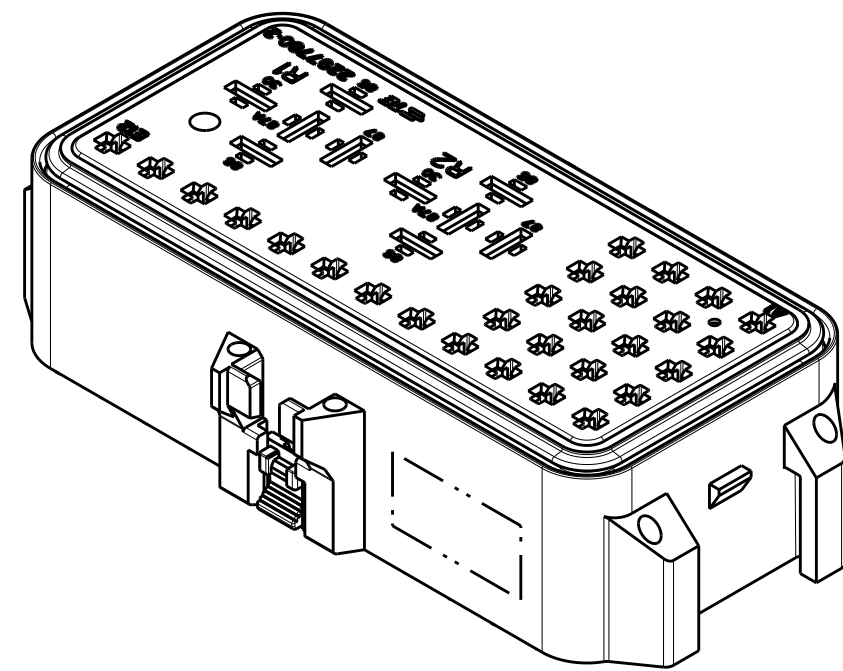
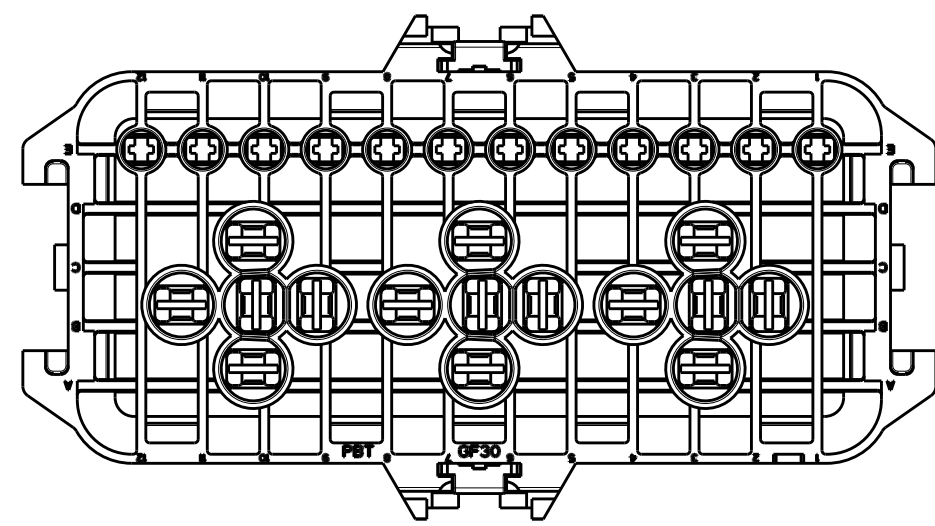
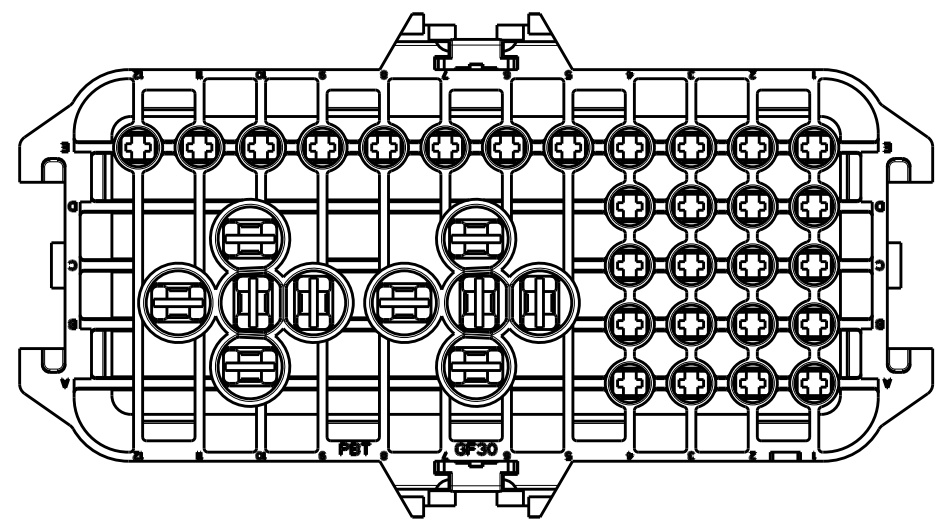
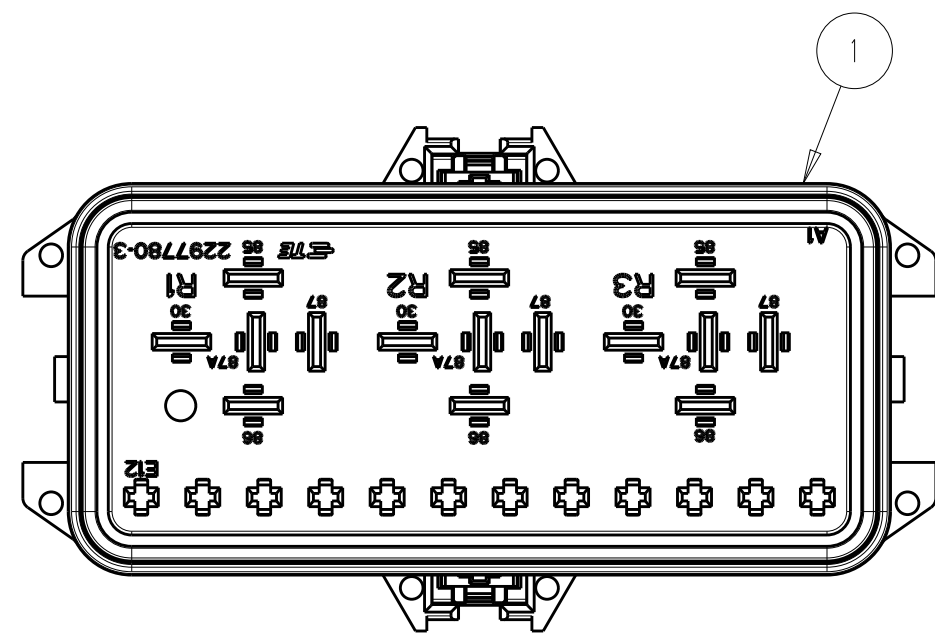
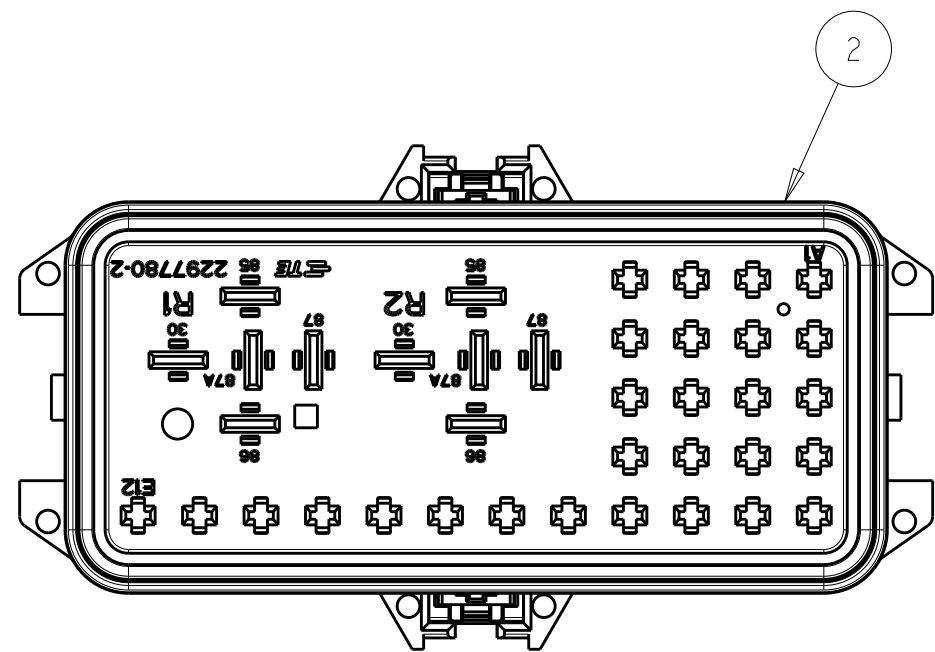
1	1	1	VMQ	FACIAL SEAL	5
2	2	2	PBT-GF15, RED	CPA	4
-	-	1	PBT-GF30, BLACK	BASE, 49 POSN, ISO FUSE AND RELAY	3
-	1	-	PBT-GF30, BLACK	BASE, 38 POSN, ISO FUSE AND RELAY	2
1	-	-	PBT-GF30, BLACK	BASE, 27 POSN, ISO FUSE AND RELAY	1
-3	-2	-1		DESCRIPTION	ITEM NO

THIS DRAWING IS A CONTROLLED DOCUMENT.

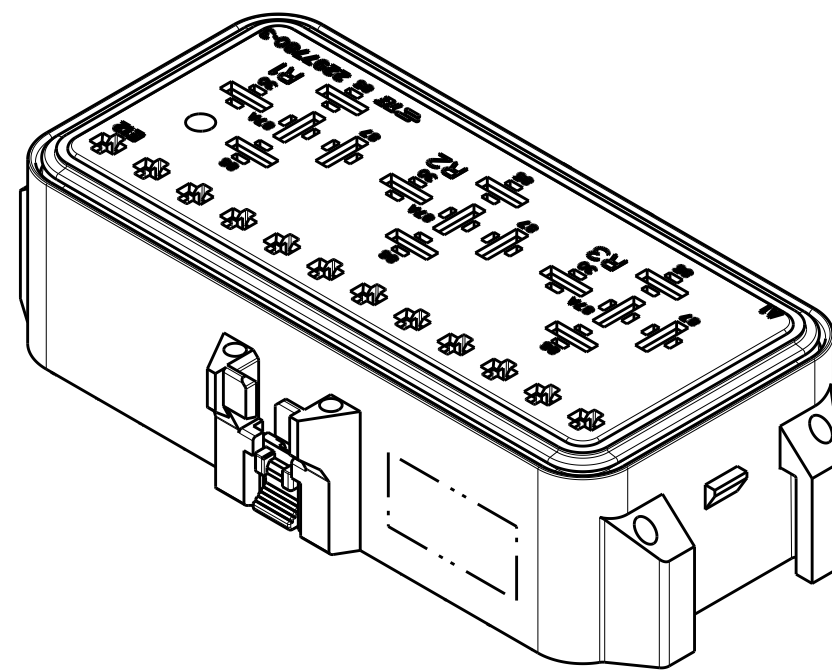
DIMENSIONS: mm	TOLERANCES UNLESS OTHERWISE SPECIFIED:	DWN J. MCNEAL 12NOV2015	TE Connectivity
	0 PLC ±	CHK D. STRAUSSER 7JAN2016	
	1 PLC ±	APVD D. STRAUSSER 29APR2016	
	2 PLC ±	PRODUCT SPEC	
MATERIAL	FINISH	APPLIC. SPEC	NAME
-	-	WEIGHT 131.3g	BASE ASSEMBLY ISO FUSE AND RELAY BOX
-	-	CUSTOMER DRAWING	SIZE CAGE CODE DRAWING NO RESTRICTED TO
		SCALE 1:1 SHEET 1 OF 3 REV B	A200779C-2297813

THIS DRAWING IS UNPUBLISHED. RELEASED FOR PUBLICATION 20
 © COPYRIGHT 20 BY - ALL RIGHTS RESERVED.


REVISIONS				
P	LTR	DESCRIPTION	DATE	APVD
-	-	SEE SHEET 1	-	-



2297813-2 SHOWN

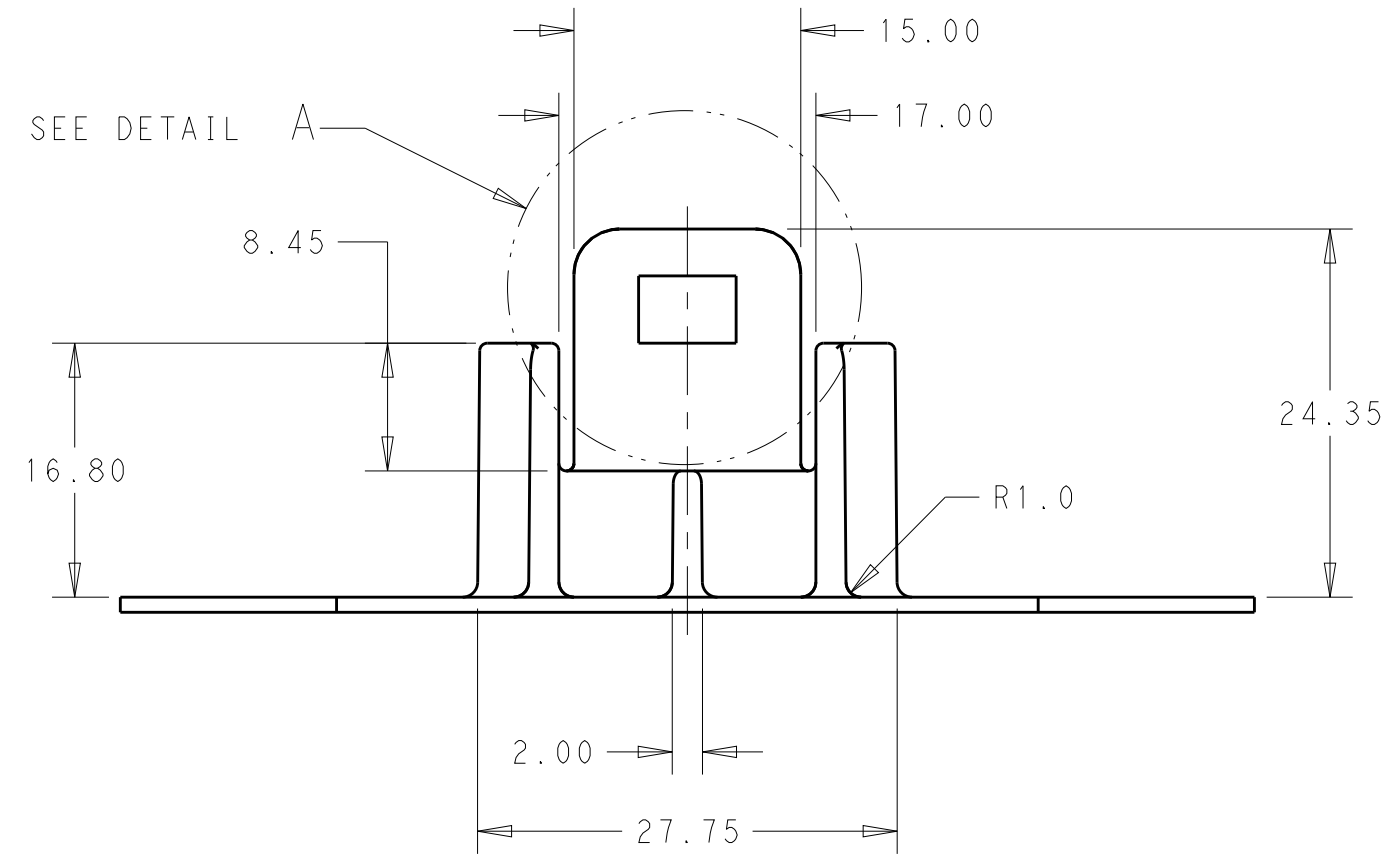


2297813-3 SHOWN

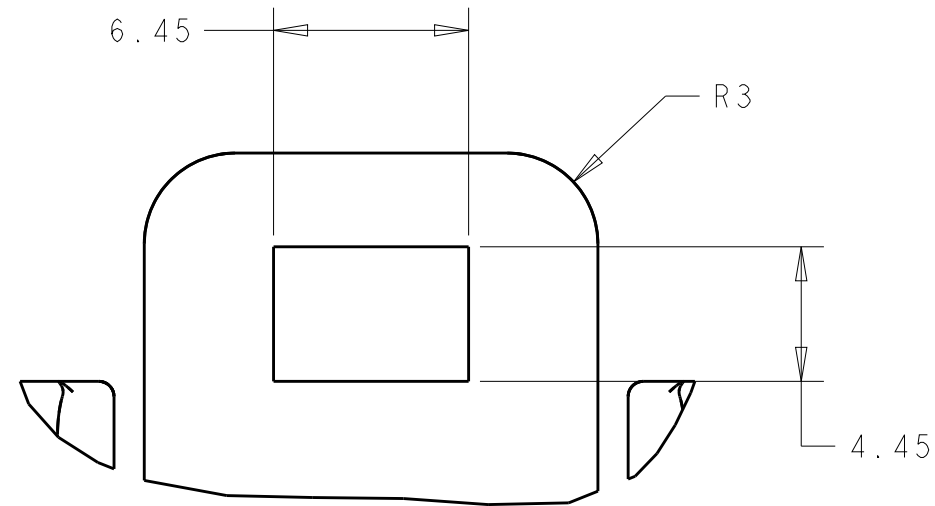
THIS DRAWING IS A CONTROLLED DOCUMENT.		DWN J. MCNEAL 12NOV2015	 TE Connectivity															
DIMENSIONS: mm		CHK D. STRAUSSER 7JAN2016																
TOLERANCES UNLESS OTHERWISE SPECIFIED:		APVD D. STRAUSSER 29APR2016	NAME BASE ASSEMBLY ISO FUSE AND RELAY BOX															
<table border="1"> <tr> <td>0 PLC</td> <td>±</td> </tr> <tr> <td>1 PLC</td> <td>±</td> </tr> <tr> <td>2 PLC</td> <td>±</td> </tr> <tr> <td>3 PLC</td> <td>±</td> </tr> <tr> <td>4 PLC</td> <td>±</td> </tr> <tr> <td>ANGLES</td> <td>±</td> </tr> <tr> <td>FINISH</td> <td>-</td> </tr> </table>		0 PLC	±	1 PLC	±	2 PLC	±	3 PLC	±	4 PLC	±	ANGLES	±	FINISH	-	PRODUCT SPEC -	RESTRICTED TO -	
0 PLC	±																	
1 PLC	±																	
2 PLC	±																	
3 PLC	±																	
4 PLC	±																	
ANGLES	±																	
FINISH	-																	
MATERIAL -		APPLICATION SPEC -	SIZE A2	CAGE CODE 00779														
-		WEIGHT 131.3g	DRAWING NO C-2297813	SCALE 1:1														
-		CUSTOMER DRAWING	SHEET 2	OF 3														
-			REV B															

THIS DRAWING IS UNPUBLISHED. RELEASED FOR PUBLICATION 20
 © COPYRIGHT 20 BY - ALL RIGHTS RESERVED.

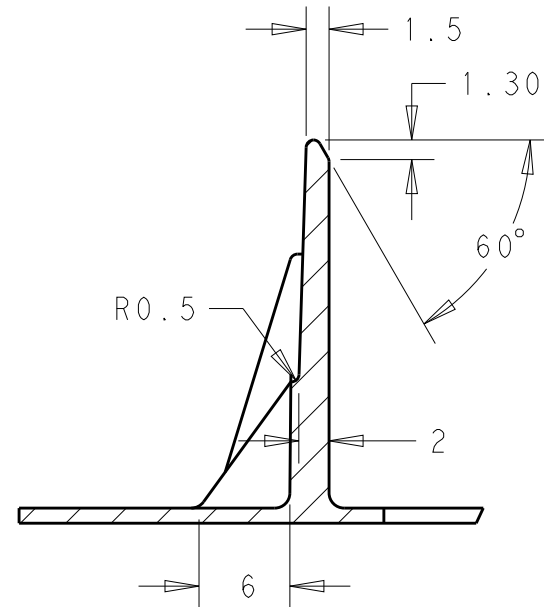
REVISIONS				
P	LTR	DESCRIPTION	DATE	APVD
-		SEE SHEET 1	-	-



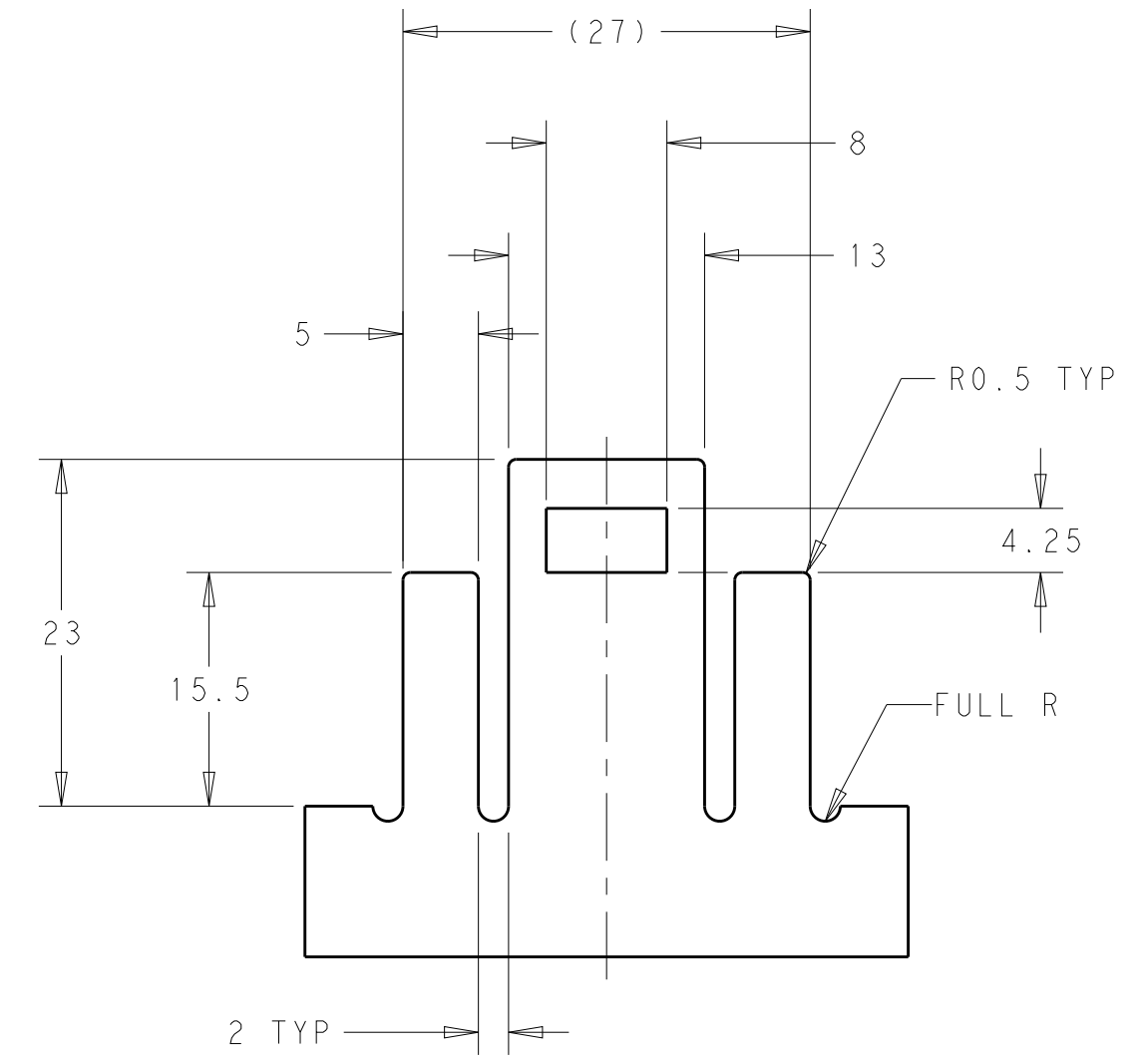
SCALE 2:1



DETAIL A
SCALE 4:1




SECTION A-A
SCALE 2:1



SUGGESTED SHEET METAL LATCH

PLASTIC MOUNTING LATCH
0.5° DRAFT ADDED AS NEEDED

THIS DRAWING IS A CONTROLLED DOCUMENT.		DWN J. MCNEAL 12NOV2015	 TE Connectivity	
DIMENSIONS: mm		CHK D. STRAUSSER 7JAN2016		
TOLERANCES UNLESS OTHERWISE SPECIFIED:		APVD D. STRAUSSER 29APR2016	NAME BASE ASSEMBLY ISO FUSE AND RELAY BOX	
0 PLC ± 1 PLC ± 2 PLC ± 3 PLC ± 4 PLC ± ANGLES ± FINISH -		PRODUCT SPEC -	RESTRICTED TO -	
MATERIAL -		APPLICATION SPEC -	SIZE A200779	DRAWING NO. C-2297813
		WEIGHT 131.3g	SCALE 1:1	SHEET 3 OF 3
		CUSTOMER DRAWING	REV B	