

AMPHENOL PART NUMBER CONFIGURATION

UE86-3G8620-X0X61

LIGHT PIPE OPTION

- 0 - NO LIGHT PIPE
- 1 - 4 LP PER 2X1, NORMAL ORIENTATION
- 2 - 2 INNER LP PER 2X1, NORMAL ORIENTATION
- 3 - 2 OUTER LP PER 2X1, NORMAL ORIENTATION
- 4 - 4 LP PER 2X1, REVERSING ORIENTATION
- 5 - 2 INNER LP PER 2X1, REVERSING ORIENTATION
- 6 - 2 OUTER LP PER 2X1, REVERSING ORIENTATION
- 7 - 3 LP PER 2X1, 2 OUTER LP, NORMAL ORIENTATION
- 8 - 3 LP PER 2X1, 2 OUTER LP, REVERSING ORIENTATION

PACKAGING

- 1 - TRAY PACKAGING (STACKED)

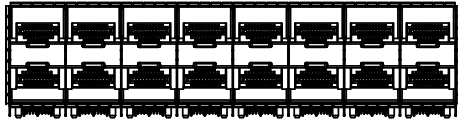
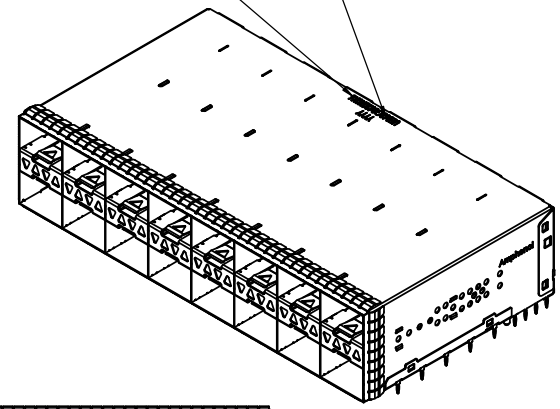
PLATING OPTIONS FOR CONNECTOR

- 2 - 30µ" GOLD PLATING ON MATING AREA
15-100µ" MATTE TIN ON TERMINATION
- 3 - 30µ" GOLD PLATING ON MATING AREA
150-300µ" MATTE TIN ON TERMINATION
- 5 - 15µ" GOLD PLATING ON MATING AREA
15-100µ" MATTE TIN ON TERMINATION
- 6 - 15µ" GOLD PLATING ON MATING AREA
150-300µ" MATTE TIN ON TERMINATION

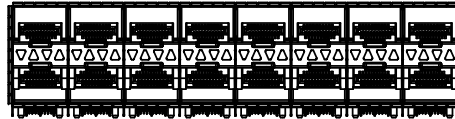
REVISIONS				
REV.	ECN	DESCRIPTION	DATE	APPROVED
D		UPDATE NOTES	AUG 19/14	J. SI
E		UPDATE PCB THICKNESS	NOV 02/15	J.SI
F		REMOVED DIM. ZONE B5, SHEET 2 OF 5	NOV 02/16	J.SI

PART NUMBER
(LAST DIGIT INDICATING
PACKAGING TYPE, NOT
PRINTED ON THE PART)

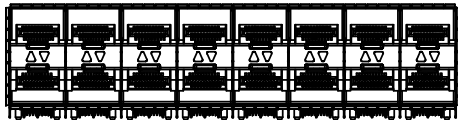
DATE CODE



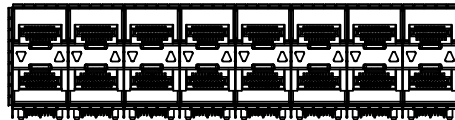
NO LIGHT PIPES
UE86-3G8620-00X61



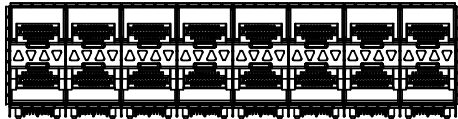
4 LIGHT PIPES
UE86-3G8620-10X61



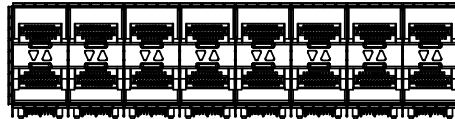
2 INNER LIGHT PIPES
UE86-3G8620-20X61



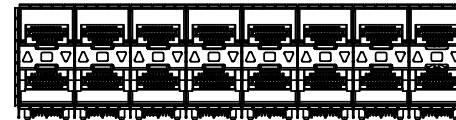
2 OUTER LIGHT PIPES
UE86-3G8620-30X61



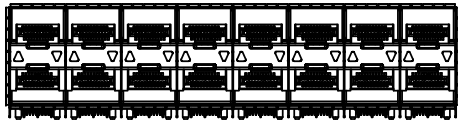
4 LIGHT PIPES UPSIDE DOWN
UE86-3G8620-40X61



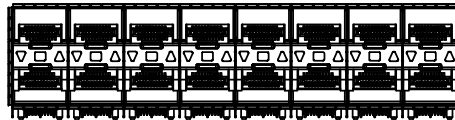
2 INNER LIGHT PIPES UPSIDE DOWN
UE86-3G8620-50X61



3 LIGHT PIPES UPSIDE DOWN
UE86-3G8620-80X61



2 OUTER LIGHT PIPES UPSIDE DOWN
UE86-3G8620-60X61



3 LIGHT PIPES
UE86-3G8620-70X61



MATERIAL: (RoHS COMPLIANT)

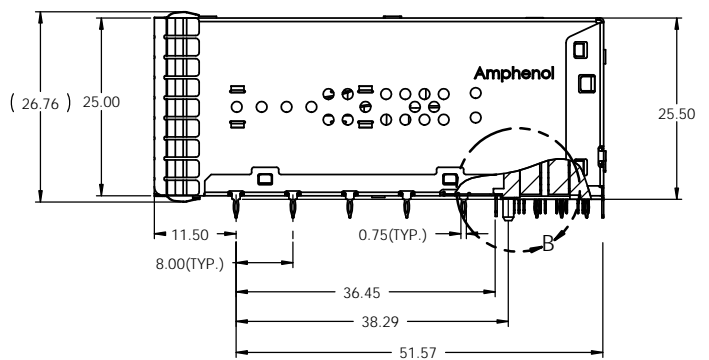
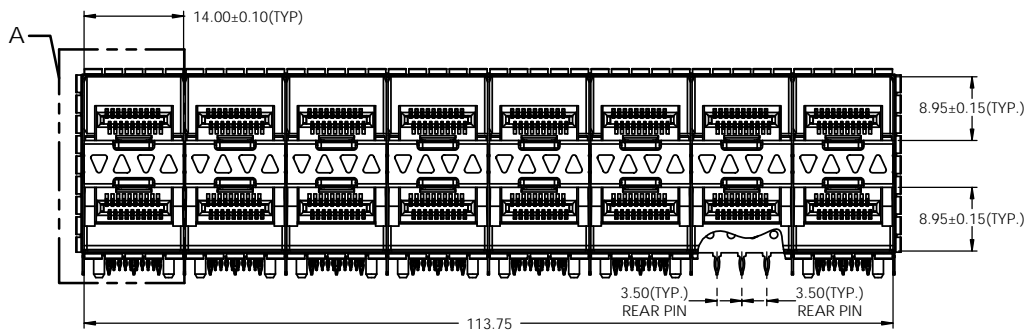
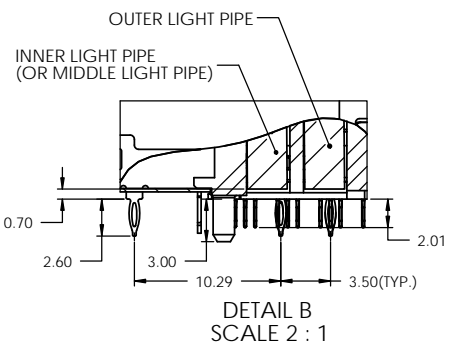
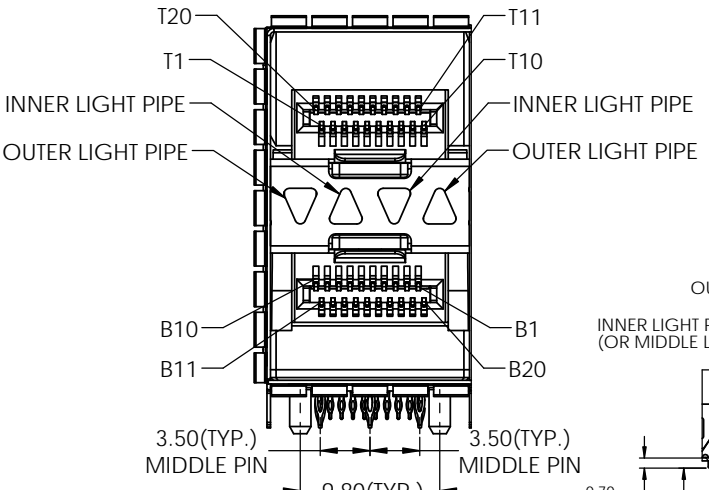
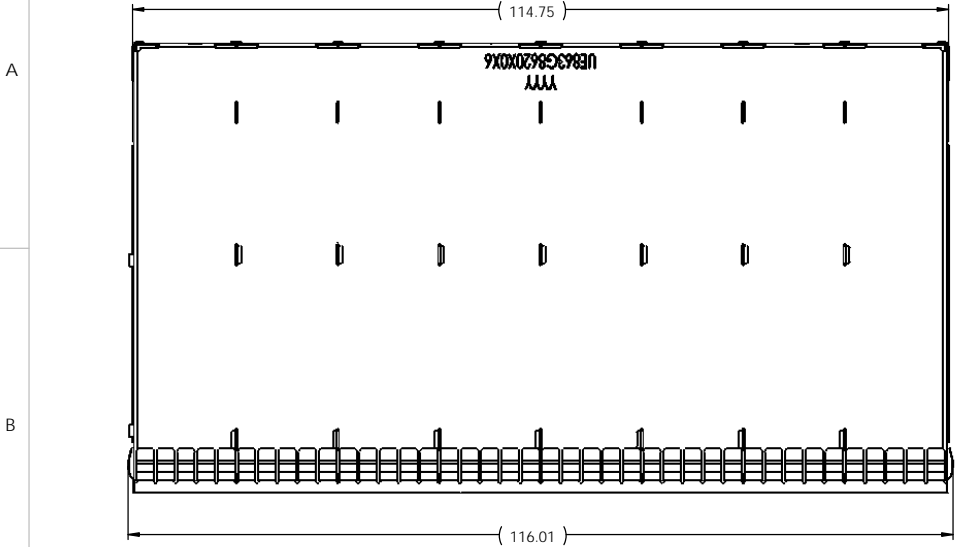
1. CAGE - PRESS FIT: COPPER ALLOY (NICKEL SILVER)
2. CONNECTOR - PRESS FIT:
- PLASTIC HOUSING: LCP, FLAMMABILITY RATING UL94-V0
- CONTACTS: PHOSPHOR BRONZE
3. LIGHT PIPE: CLEAR POLYCARBONATE, FLAMMABILITY RATING UL94-V0
4. PACKAGING: TRAY PACKAGING
5. TEMPERATURE RANGE: -40°C TO +85°C

THIS DOCUMENT CONTAINS PROPRIETARY INFORMATION AND SUCH INFORMATION MAY NOT BE DISCLOSED TO OTHERS FOR ANY PURPOSE OR USED FOR MANUFACTURING PURPOSES WITHOUT WRITTEN PERMISSION FROM AMPHENOL CANADA CORP.

UNLESS SPECIFIED OTHERWISE DIMENSIONS ARE IN MILLIMETERS REFERENCE IN PARENTHESES GENERAL TOLERANCES 1 DECIMAL PLACE ±0.25 2 DECIMAL PLACE ±0.15 3 DECIMAL PLACE N/A ANGULAR DEGREES ±1° ENG. REL. NO.	DRAWN P. OU FEB 06/14	Amphenol High Speed Interconnects A Division of Amphenol Corp. www.amphenolcanada.com 2X8 SFP ULTRAPORT WITH LIGHT PIPE OPTIONS AND EMI SPRING FINGER	DWG. NO. P-UE86-3G8620-X0X61	REV F	
	CHECKED J. SI NOV02/15				
	MATERIAL AND FINISH REF. ECN Exxxxx				SEE NOTES
	THIRD ANGLE PROJECTION				DO NOT SCALE DRAWING
CODE ID NO. 03554		DWG SIZE: A4	SCALE: 3:5	SHEET 1 OF 5	

1 2 3 4 5 6

REVISIONS				
REV.	ECN	DESCRIPTION	DATE	APPROVED
D		UPDATE NOTES	AUG 19/14	J. SI
E		UPDATE PCB THICKNESS	NOV 02/15	J.SI
F		REMOVED DIM. ZONE B5, SHEET 2 OF 5	NOV 02/16	J.SI



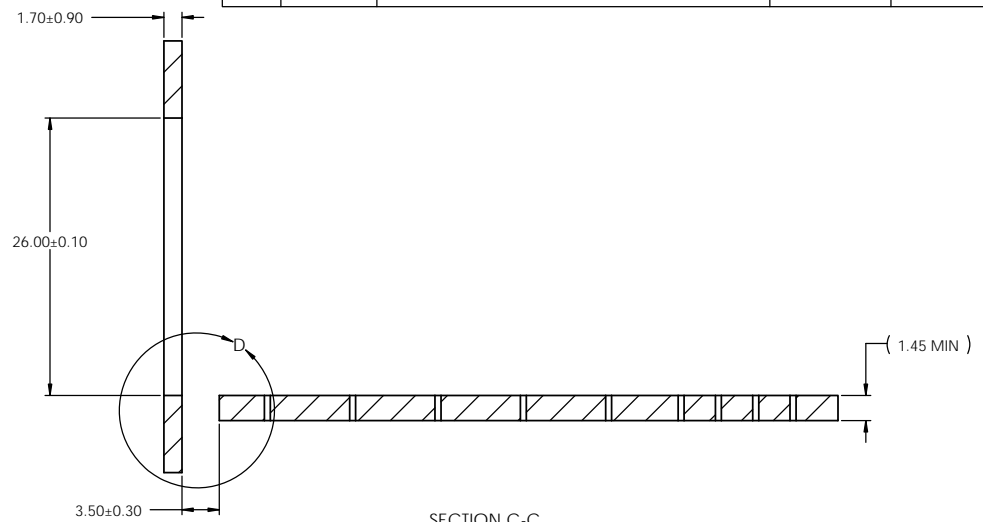
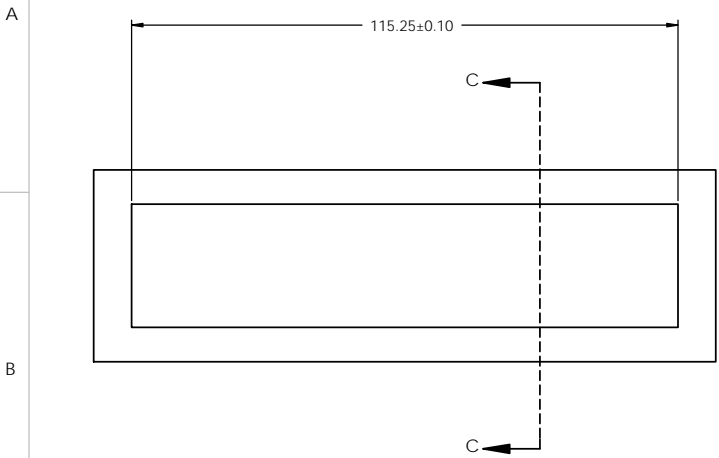
THIS DOCUMENT CONTAINS PROPRIETARY INFORMATION AND SUCH INFORMATION MAY NOT BE DISCLOSED TO OTHERS FOR ANY PURPOSE OR USED FOR MANUFACTURING PURPOSES WITHOUT WRITTEN PERMISSION FROM AMPHENOL CANADA CORP.

UNLESS SPECIFIED OTHERWISE DIMENSIONS ARE IN MILLIMETERS REFERENCE IN PARENTHESES GENERAL TOLERANCES	DRAWN P. OU CHECKED J. SI M.E. APP'D Q.A. APP'D DWG APP'D J. SI MATERIAL AND FINISH REF. ECN Exxxxx	FEB 06/14 NOV02/15	Amphenol High Speed Interconnects A Division of Amphenol Corp. www.amphenolcanada.com 2X8 SFP ULTRAPORT WITH LIGHT PIPE OPTIONS AND EMI SPRING FINGER	DWG. NO.	REV F
1 DECIMAL PLACE ±0.25 2 DECIMAL PLACE ±0.15 3 DECIMAL PLACE N/A ANGULAR DEGREES ±1° ENG. REL. NO.	DO NOT SCALE DRAWING			P-UE86-3G8620-XOX61	CODE ID NO. 03554 DWG SIZE: A4 SCALE: 1:1 SHEET 2 OF 5

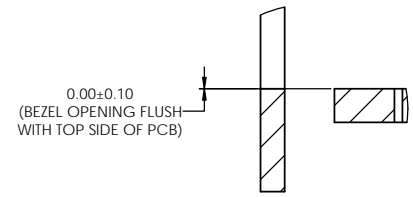
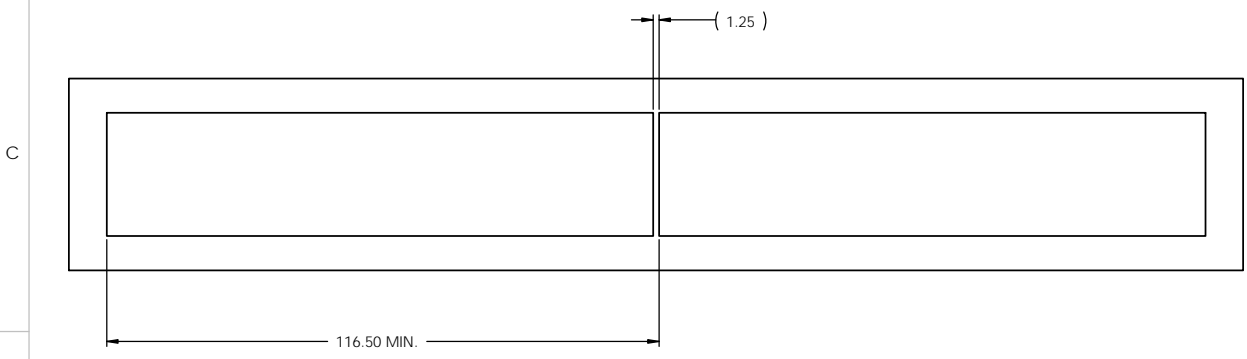
1 2 3

1 2 3 4 5 6

REVISIONS				
REV.	ECN	DESCRIPTION	DATE	APPROVED
D		UPDATE NOTES	AUG 19/14	J. SI
E		UPDATE PCB THICKNESS	NOV 02/15	J.SI
F		REMOVED DIM. ZONE B5, SHEET 2 OF 5	NOV 02/16	J.SI



SECTION C-C
SCALE 3 : 2

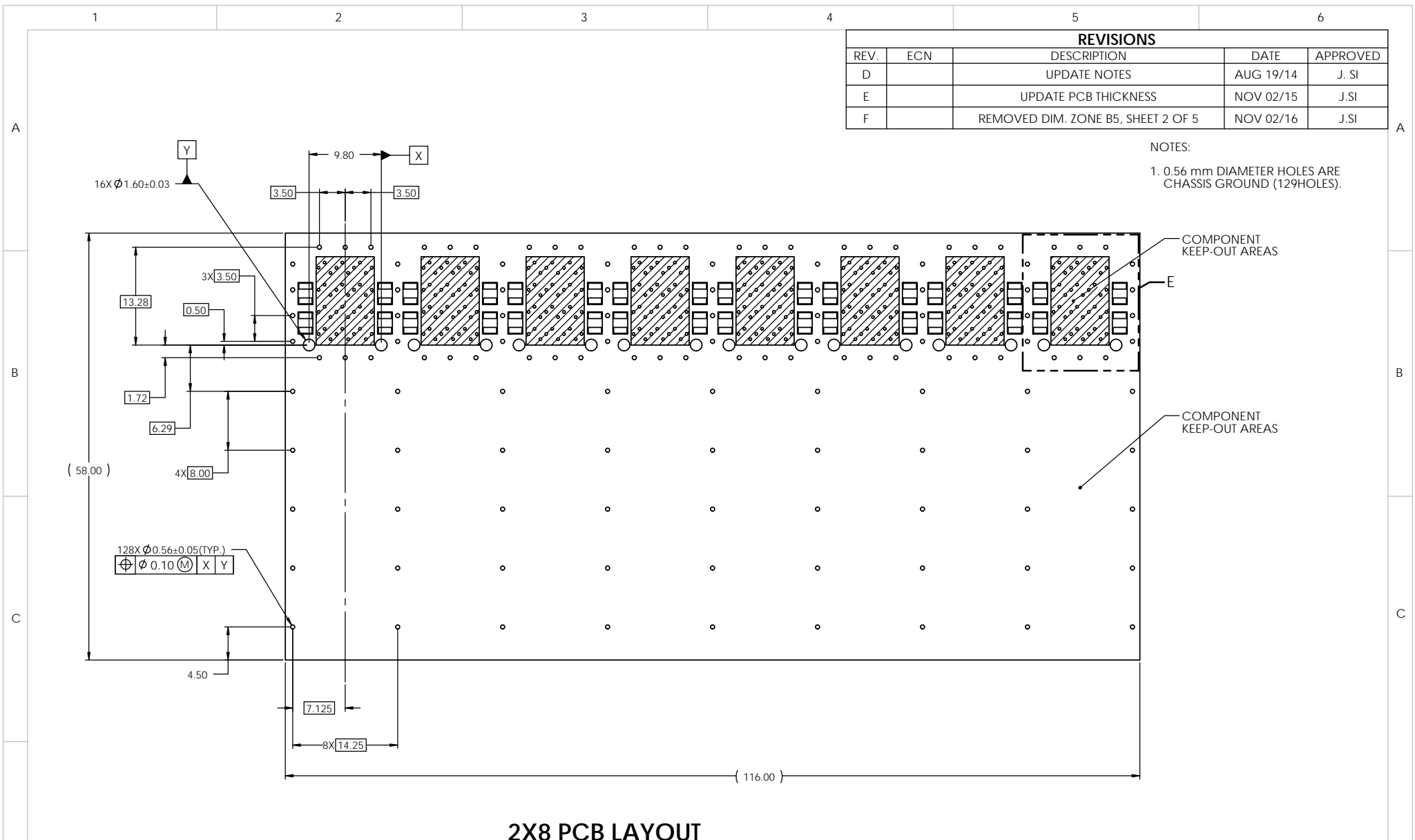


DETAIL D
SCALE 2 : 1

THIS DOCUMENT CONTAINS PROPRIETARY INFORMATION AND SUCH INFORMATION MAY NOT BE DISCLOSED TO OTHERS FOR ANY PURPOSE OR USED FOR MANUFACTURING PURPOSES WITHOUT WRITTEN PERMISSION FROM AMPHENOL CANADA CORP.

UNLESS SPECIFIED OTHERWISE		DRAWN	P. OU	FEB 06/14	Amphenol High Speed Interconnects A Division of Amphenol Corp. www.amphenolcanada.com
DIMENSIONS ARE IN MILLIMETERS		CHECKED	J. SI	NOV02/15	
REFERENCE IN PARENTHESES		M.E. APP'D			2X8 SFP ULTRAPORT WITH LIGHT PIPE OPTIONS AND EMI SPRING FINGER
GENERAL TOLERANCES		Q.A. APP'D			
1 DECIMAL PLACE ±0.25		DWG APP'D		J. SI	
2 DECIMAL PLACE ±0.15		MATERIAL AND FINISH		SEE NOTES	
3 DECIMAL PLACE N/A		REF.		ECN Exxxxx	DWG. NO.
ANGULAR DEGREES ±1°		THIRD ANGLE PROJECTION		DO NOT SCALE DRAWING	P-UE86-3G8620-X0X61
ENG. REL. NO.					REV F

1 2 3 4 5 6



REVISIONS				
REV.	ECN	DESCRIPTION	DATE	APPROVED
D		UPDATE NOTES	AUG 19/14	J. SI
E		UPDATE PCB THICKNESS	NOV 02/15	J.SI
F		REMOVED DIM. ZONE B5, SHEET 2 OF 5	NOV 02/16	J.SI

NOTES:
 1. 0.56 mm DIAMETER HOLES ARE CHASSIS GROUND (129HOLES).

COMPONENT KEEP-OUT AREAS

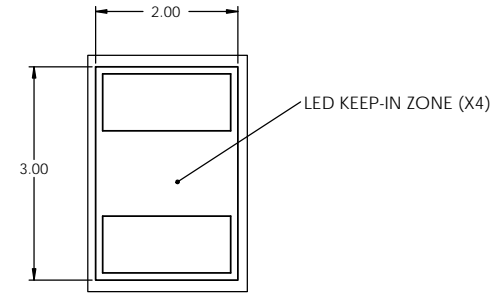
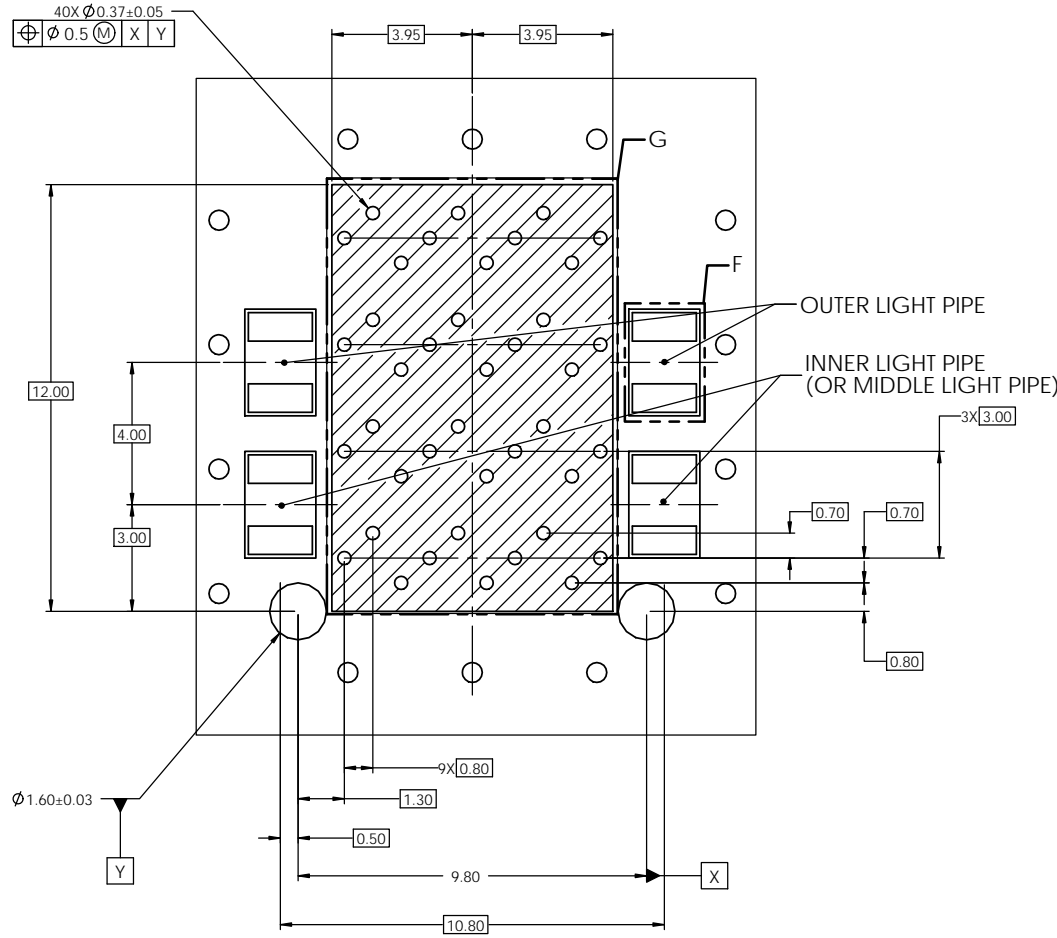
COMPONENT KEEP-OUT AREAS

2X8 PCB LAYOUT

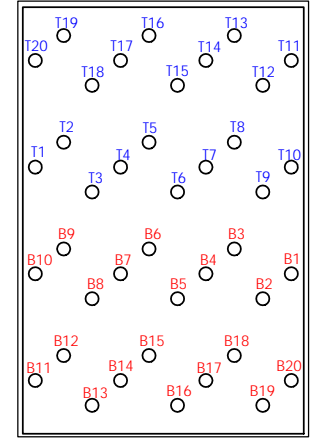
THIS DOCUMENT CONTAINS PROPRIETARY INFORMATION AND SUCH INFORMATION MAY NOT BE DISCLOSED TO OTHERS FOR ANY PURPOSE OR USED FOR MANUFACTURING PURPOSES WITHOUT WRITTEN PERMISSION FROM AMPHENOL CANADA CORP.

UNLESS SPECIFIED OTHERWISE DIMENSIONS ARE IN MILLIMETERS	DRAWN P. OU FEB 06/14	Amphenol High Speed Interconnects A Division of Amphenol Corp. www.amphenolcanada.com 2X8 SFP ULTRAPORT WITH LIGHT PIPE OPTIONS AND EMI SPRING FINGER	DWG. NO.	REV		
REFERENCE IN PARENTHESES	CHECKED J. SI NOV02/15		P-UE86-3G8620-X0X61	F		
GENERAL TOLERANCES	M.E. APP'D Q.A. APP'D			CODE ID NO. 03554	DWG SIZE: A4	SCALE: 2:1
1 DECIMAL PLACE ±0.25	DWG APP'D J. SI NOV02/15					
2 DECIMAL PLACE ±0.15	MATERIAL AND FINISH SEE NOTES					
3 DECIMAL PLACE N/A	REF. ECN Exxxxx					
ANGULAR DEGREES ±1°	THIRD ANGLE PROJECTION	DO NOT SCALE DRAWING				
ENG. REL. NO.						

REVISIONS				
REV.	ECN	DESCRIPTION	DATE	APPROVED
D		UPDATE NOTES	AUG 19/14	J. SI
E		UPDATE PCB THICKNESS	NOV 02/15	J.SI
F		REMOVED DIM. ZONE B5, SHEET 2 OF 5	NOV 02/16	J.SI



DETAIL F
SCALE 10 : 1



DETAIL G
SCALE 5 : 1

DETAIL E
SCALE 5 : 1

THIS DOCUMENT CONTAINS PROPRIETARY INFORMATION AND SUCH INFORMATION MAY NOT BE DISCLOSED TO OTHERS FOR ANY PURPOSE OR USED FOR MANUFACTURING PURPOSES WITHOUT WRITTEN PERMISSION FROM AMPHENOL CANADA CORP.

UNLESS SPECIFIED OTHERWISE		DRAWN	P. OU	FEB 06/14
DIMENSIONS ARE IN MILLIMETERS		CHECKED	J. SI	NOV02/15
REFERENCE IN PARENTHESES		M.E. APP'D		
GENERAL TOLERANCES		Q.A. APP'D		
1 DECIMAL PLACE	±0.25	DWG APP'D	J. SI	NOV02/15
2 DECIMAL PLACE	±0.15	MATERIAL AND FINISH	SEE NOTES	
3 DECIMAL PLACE	N/A	REF.	ECN Exxxxx	
ANGULAR DEGREES	±1°	THIRD ANGLE PROJECTION	DO NOT SCALE DRAWING	
ENG. REL. NO.				

Amphenol High Speed Interconnects A Division of Amphenol Corp. www.amphenolcanada.com			
2X8 SFP ULTRAPORT WITH LIGHT PIPE OPTIONS AND EMI SPRING FINGER			
DWG. NO.		P-UE86-3G8620-X0X61	
CODE ID NO.	03554	DWG SIZE:	A4
SCALE:	2:1	SHEET 5 OF 5	