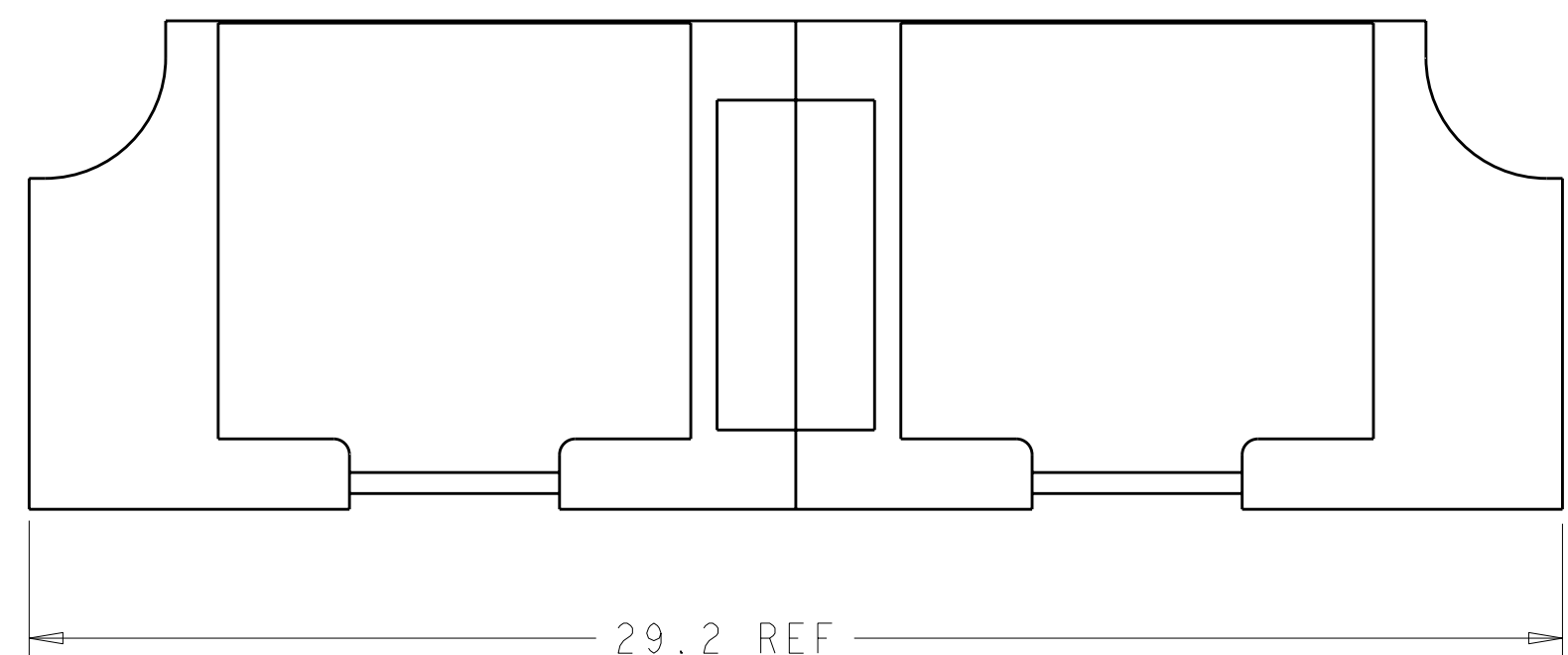
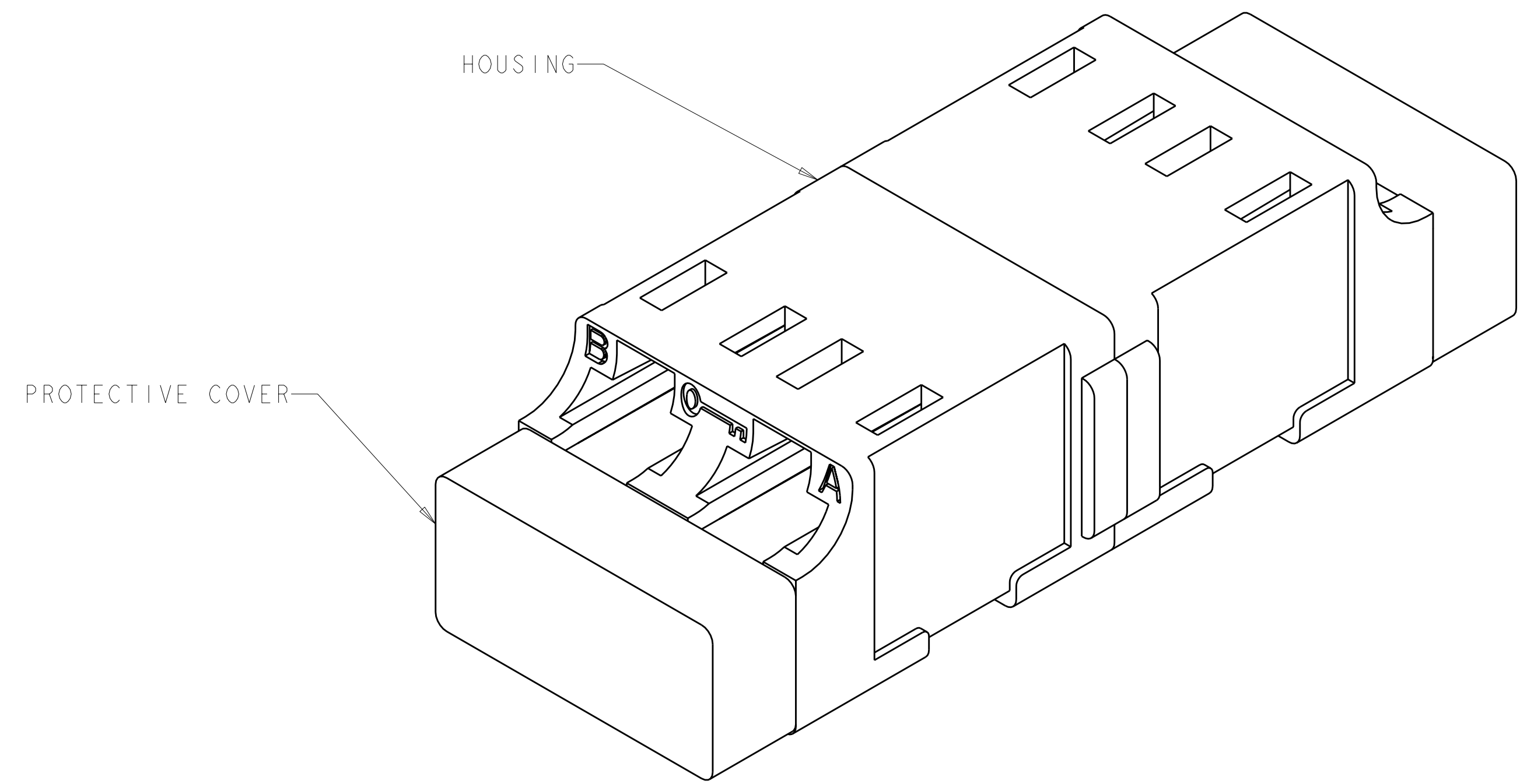
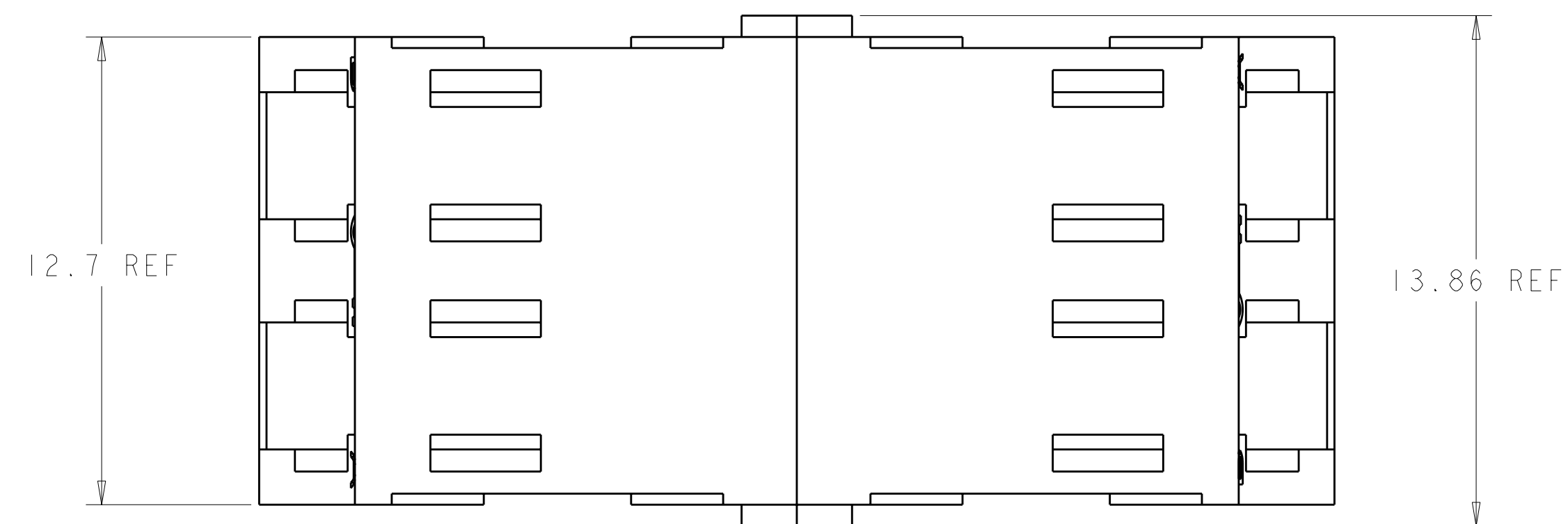
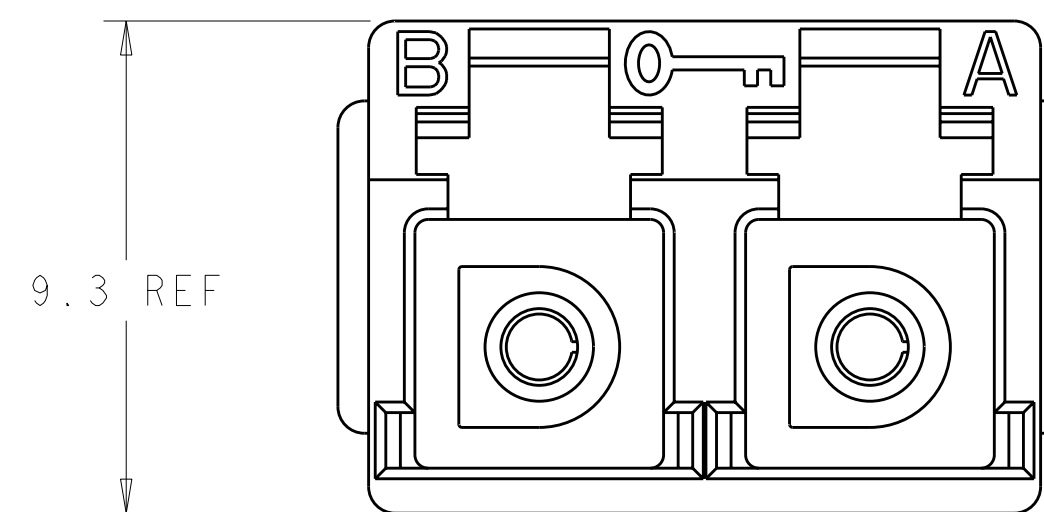


LOC	DIST	REVISIONS					
		P	LTB	DESCRIPTION	DATE	DWN	APVD
CE	00	B		ECO-06-025929	22NOV2006	ESM	DHR

△ MATERIAL:  
 HOUSINGS: THERMOPLASTIC, PPE-PS\*  
 ALIGNMENT SLEEVES: CERAMIC  
 PROTECTIVE COVERS: THERMOPLASTIC ELASTOMER\*  
 \* UL 94 V-0 RATED AT QUALIFYING THICKNESS  
 2. MATES INTO SL 110 JACK HOUSING P/N 1435734-X.



PROTECTIVE COVERS  
 NOT SHOWN



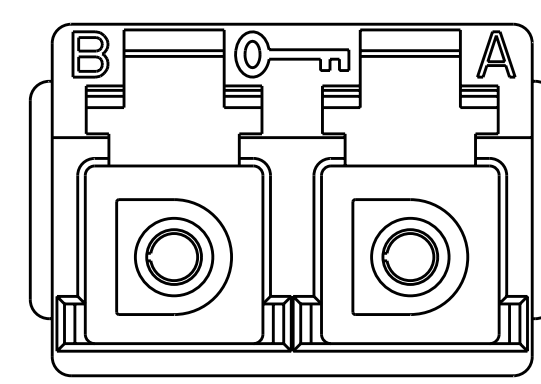
(RED - 1 SHOWN)

SLATE	I-1828075-0
ORANGE	1828075-9
VIOLET	1828075-8
BROWN	1828075-7
AQUA	1828075-6
ROSE	1828075-5
BLUE	1828075-4
GREEN	1828075-3
YELLOW	1828075-2
RED	1828075-1
HOUSING COLOR	PART NO.

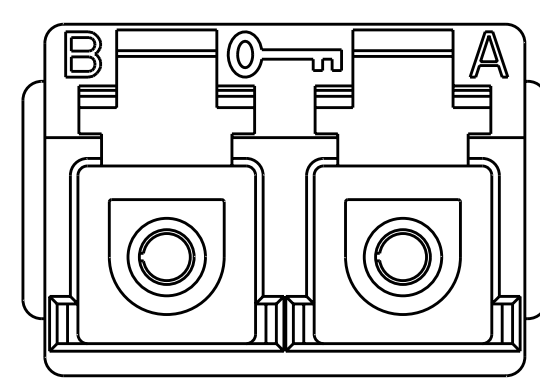
<small>THIS DRAWING IS UNPUBLISHED. RELEASED FOR PUBLICATION 20 BY TYCO ELECTRONICS CORPORATION, ALL RIGHTS RESERVED.</small>		DWN E. HOPKINS 04AUG2005 CHK D. ERDMAN 04AUG2005 APVD D. BAECHTLE 04AUG2005	<b>tyco</b> <b>Electronics</b> Tyco Electronics Harrisburg, PA 17105-3608
DIMENSIONS: mm TOLERANCES UNLESS OTHERWISE SPECIFIED: 0 PLC ± 1 PLC ± 2 PLC ± 3 PLC ± 4 PLC ± ANGLES ±		NAME LC SECURE ADAPTER ASSEMBLY, SL FLANGE PRODUCT SPEC - APPLICATION SPEC - WEIGHT - CUSTOMER DRAWING	SIZE CAGE CODE DRAWING NO RESTRICTED TO A 100779 C-1828075 - SCALE 4:1 SHEET 1 OF 2 REV B

THIS DRAWING IS UNPUBLISHED. RELEASED FOR PUBLICATION 20  
 © COPYRIGHT 20 BY TYCO ELECTRONICS CORPORATION. ALL RIGHTS RESERVED.

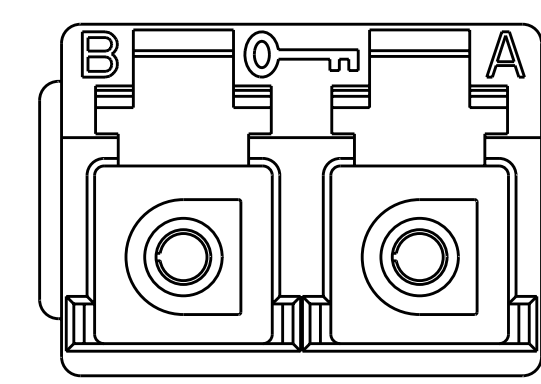
LOC	DIST	REV	DATE	DESCRIPTION	DATE	DWN	APVD
CE	00	-	-	SEE SHEET 1	-	-	-



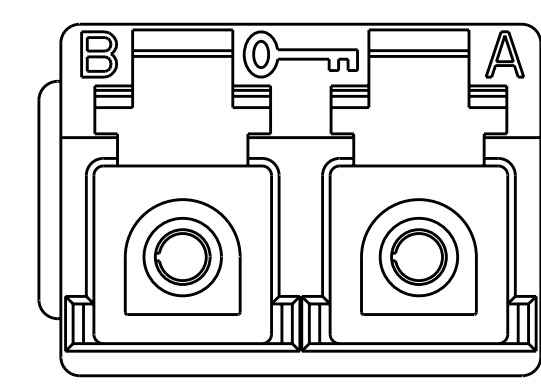
1828075-1  
RED



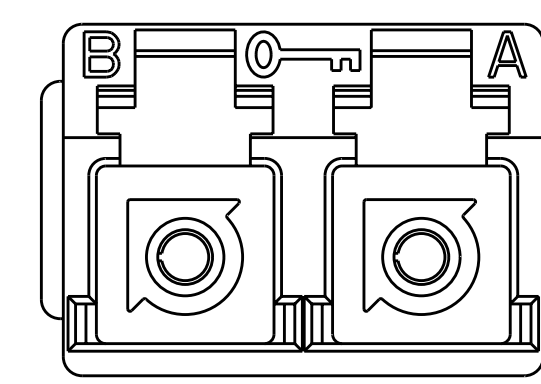
1828075-2  
YELLOW



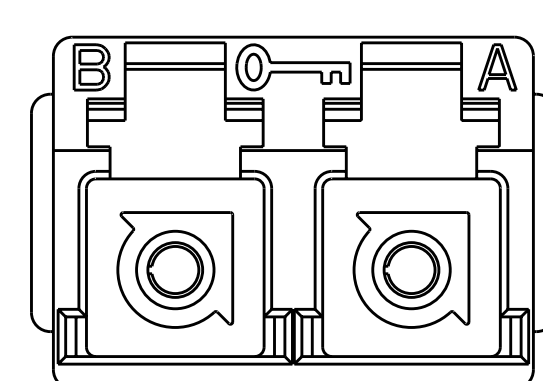
1828075-3  
GREEN



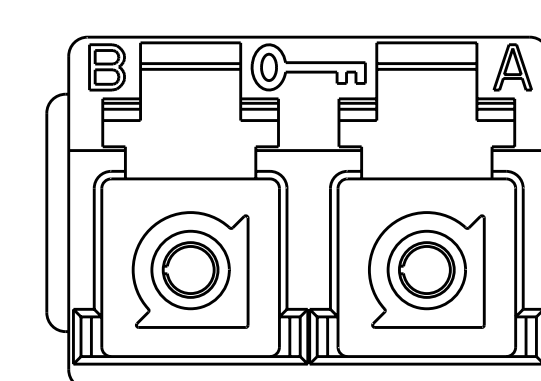
1828075-4  
BLUE



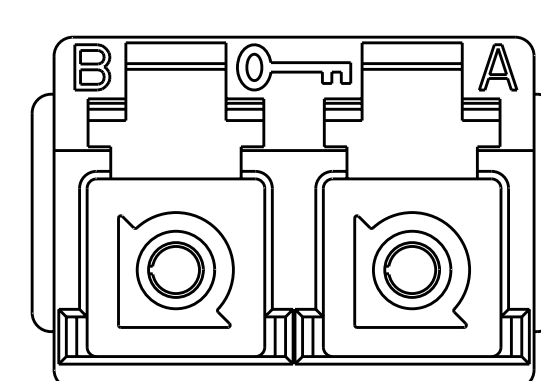
1828075-5  
ROSE



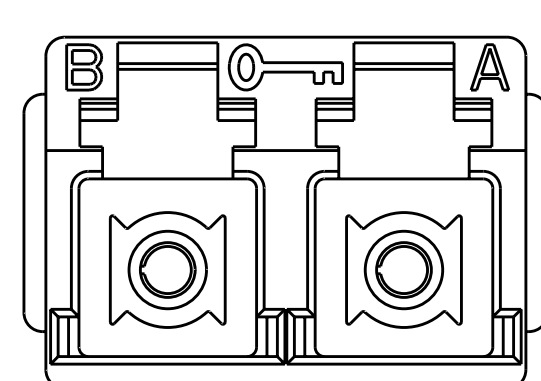
1828075-6  
AQUA



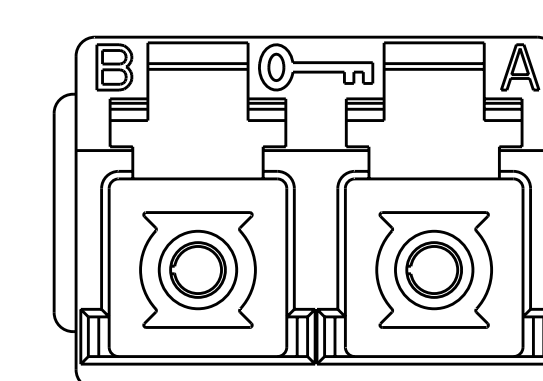
1828075-7  
BROWN



1828075-8  
VIOLET



1828075-9  
ORANGE



1-1828075-0  
SLATE

<small>THIS DRAWING IS UNPUBLISHED. RELEASED FOR PUBLICATION 20                  © COPYRIGHT 20 BY TYCO ELECTRONICS CORPORATION. ALL RIGHTS RESERVED.</small>		DWN E. HOPKINS 04AUG2005 CHK D. ERDMAN 04AUG2005 APVD D. BAECHTLE 04AUG2005	<b>tyco</b> Tyco Electronics <b>Electronics</b> Harrisburg, PA 17105-3608
DIMENSIONS: mm 	TOLERANCES UNLESS OTHERWISE SPECIFIED: 0 PLC ± 1 PLC ± 2 PLC ± 3 PLC ± 4 PLC ± ANGLES ± FINISH	NAME PRODUCT SPEC APPLICATION SPEC WEIGHT CUSTOMER DRAWING	LC SECURE ADAPTER ASSEMBLY, SL FLANGE SIZE CAGE CODE DRAWING NO A100779C=1828075 SCALE 5:1 SHEET 2 OF 2 REV B