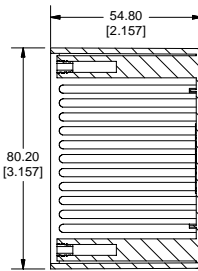
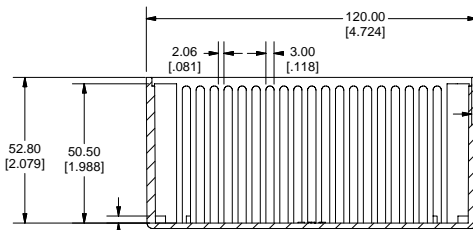
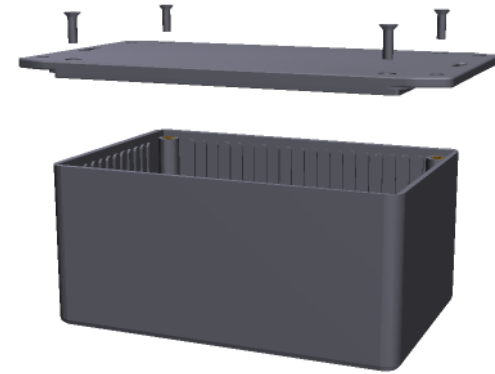


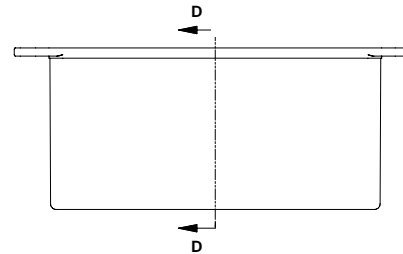
TOP VIEW OF BOX



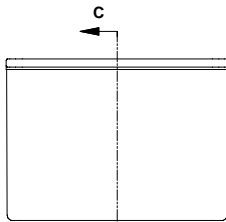
SECTION A-A



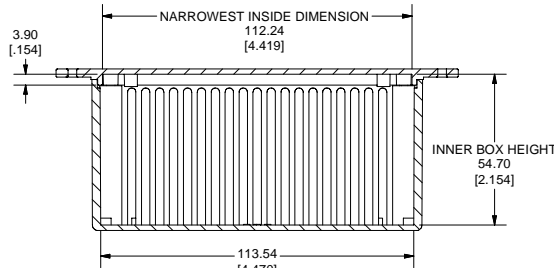
SECTION B-B



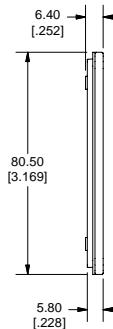
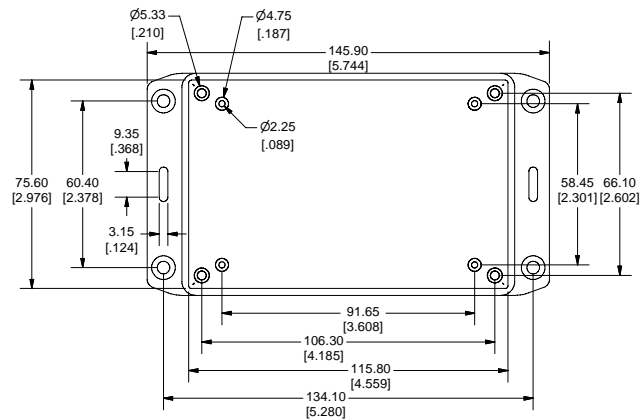
SECTION D-D



END VIEW OF ENCLOSURE



SECTION C-C



Note:  
Enclosures can be Factory Modified ( Milling, Drilling, Printing etc. )  
Contact Factory [mjm@hammondmfg.com](mailto:mjm@hammondmfg.com) for quotes  
Solid models of this enclosure available in STEP or IGES Format.

PART NUMBERS		
1591TFL Flanged Lid Enclosures		
Material	Colour	Part Number
FR ABS	Black	1591TFLBK
UL94 - V0	Grey	1591TFLGY
GP ABS	Black	1591TSFLBK
Accessories		
Description	Part Number	
PC Board Card Adapters	See Accessories Section	
Universal Use	Clear Lids - clear, flame retardant polycarbonate - Lid ONLY	1591TC
FR ABS	Replacement Screws, Flat Head Phillips	1591MS100
	Nickel Plated Pkg of 100	1591MS100BK (Black)
GP ABS	Self Tapping Pkg of 100	1591TS100
		1591TS100BK ( Black)
Recommended Torque on Fasteners (no lubrication)		
M3 - 0.5 x 10mm Screws		30-40 cN*m
#4 x 0.5 Screws		30-40 cN*m

