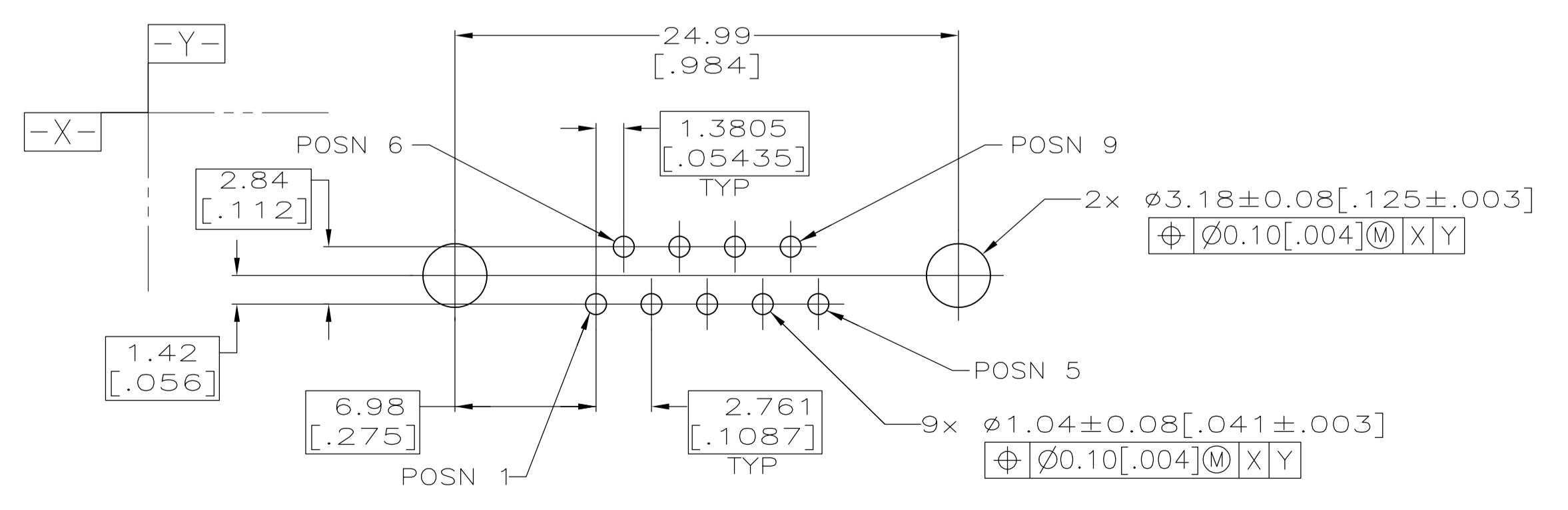
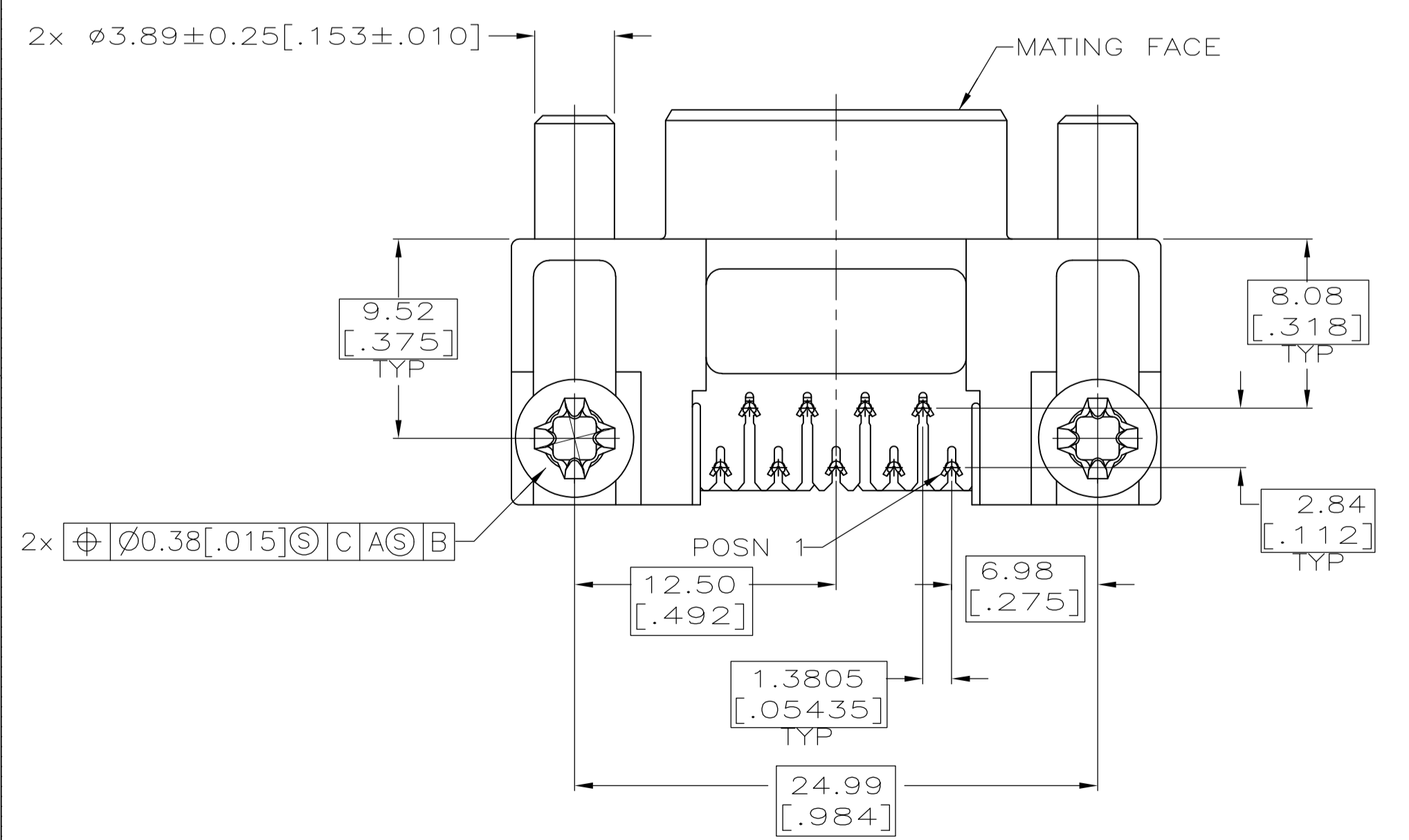
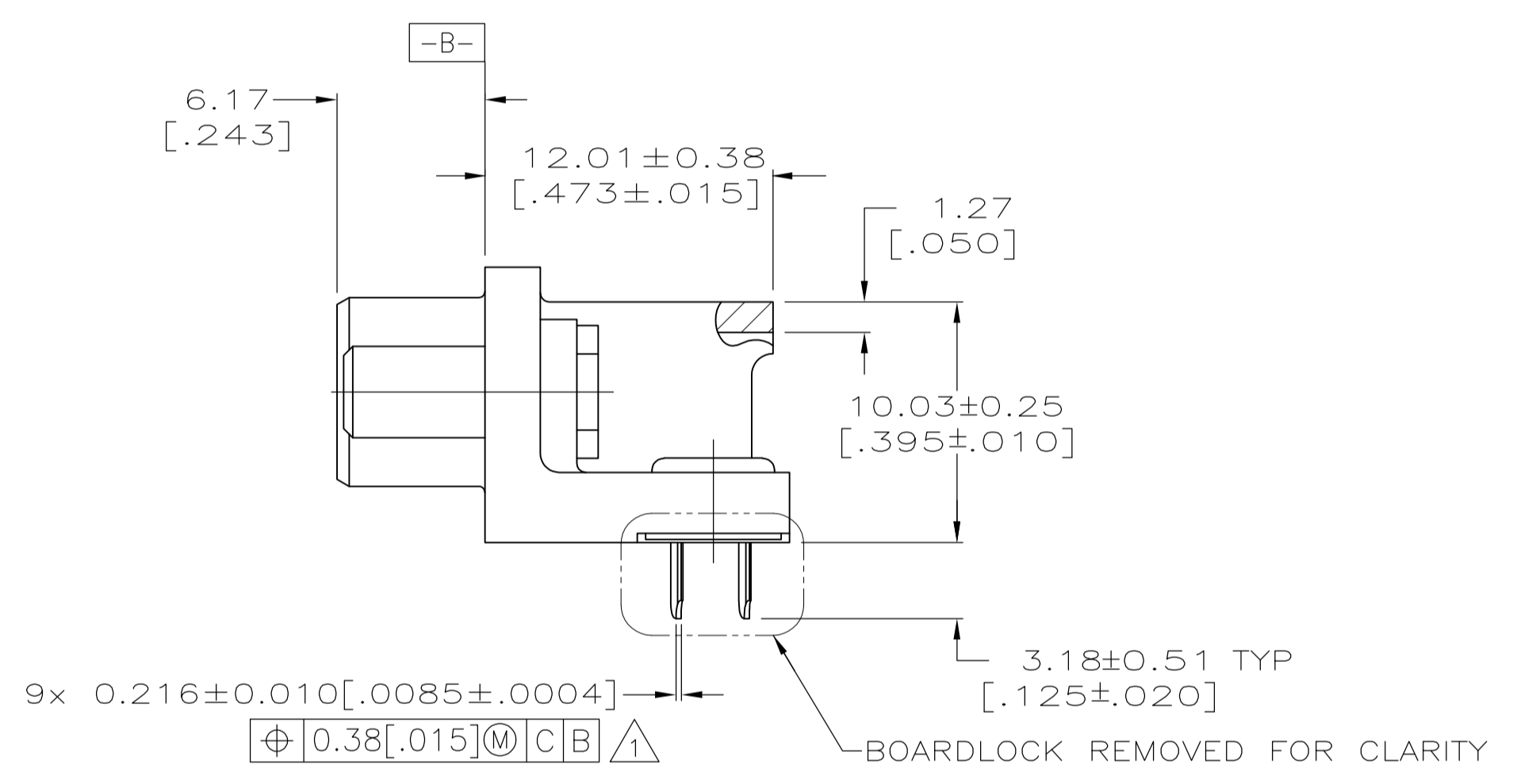
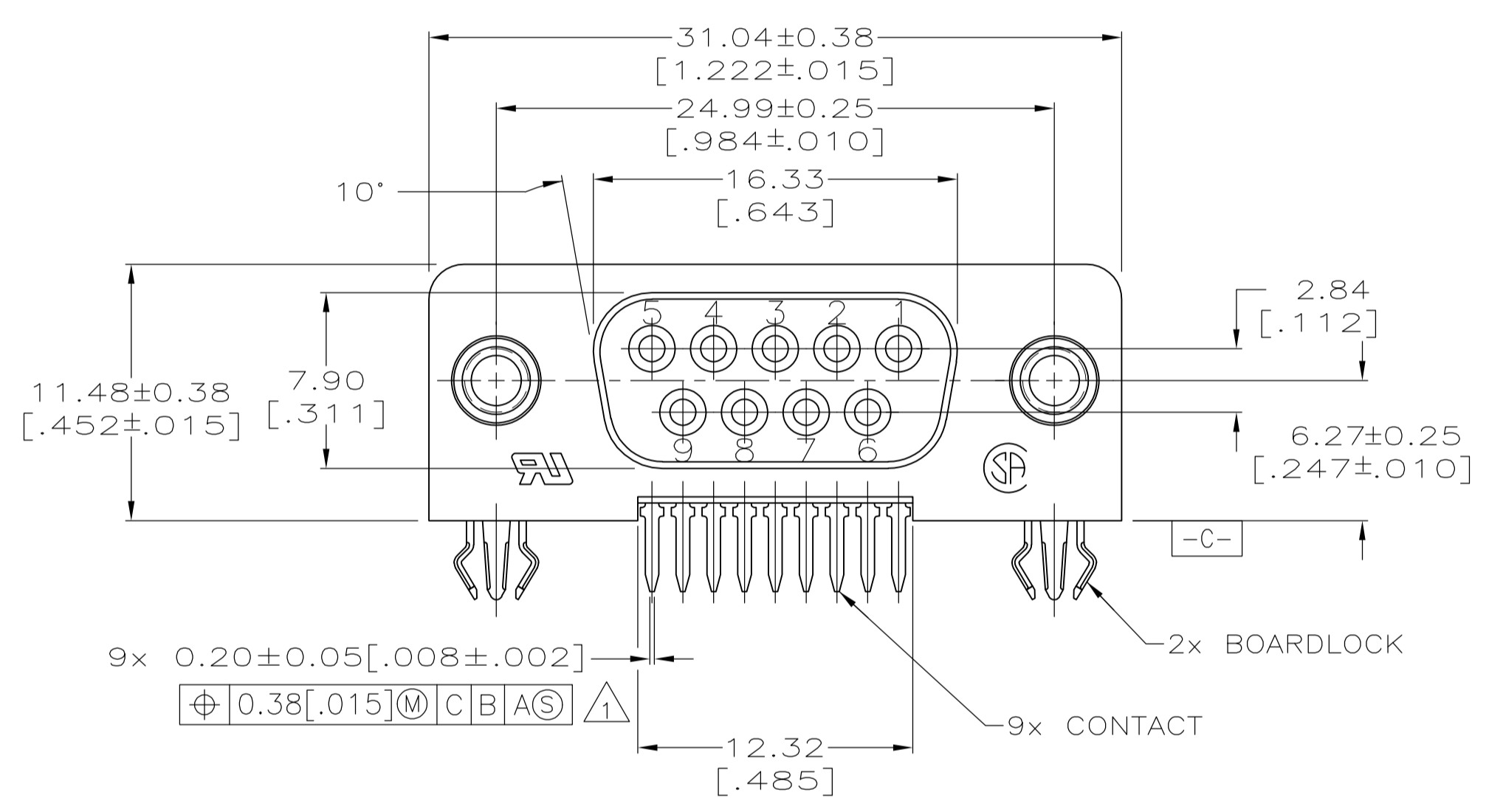


- 1 POSITION TOLERANCE APPLIES AT TIP ONLY.
- 2 HOUSING: FLAME RETARDANT, UL94V-0 RATED, GLASS FILLED NYLON OR POLYESTER, COLOR BLACK.
 CONTACTS: PHOSPHOR BRONZE.
 EYELETS: BRASS.
 SCREWLOCKS: ZINC.
 BOARDLOCKS: COPPER ALLOY.
- 3 EYELETS: 2.54 μm [.000100] MIN TIN OVER COPPER FLASH.
 BOARDLOCKS: 3.81 μm [.00015] MIN TIN OVER 1.27 μm [.000050] MIN NICKEL.
 CONTACTS: 0.76 μm [.00030] MIN GOLD FOR A LENGTH OF 1.52 [.060] MIN FROM MATING END, 2.54 μm [.0001] MIN TIN FOR A LENGTH OF 3.68 [.145] FROM OPPOSITE END, BOTH OVER 1.27 μm [.000050] MIN NICKEL.
 SCREWLOCKS: CLEAR CHROMATE COATING.
- 4 NO SCREWLOCKS. .126 MOUNTING HOLE.



PC BOARD MOUNTING DIMENSIONS
 (.062 PC BOARD THICKNESS)

THIS DRAWING IS A CONTROLLED DOCUMENT.		DIN G. PETERS 22SEP05	Tyco Electronics Corporation Harrisburg, PA 17105-3608	
DIMENSIONS: mm (INCHES)		CHK S. BOLASH 22SEP05	NAME RECEPTACLE ASSEMBLY, SIZE 1, 9 POSN, ALL PLASTIC, RIGHT ANGLE, .318 SERIES, AMPLIMITE III	
TOLERANCES UNLESS OTHERWISE SPECIFIED:		APPD M. WALMSLEY 22SEP05	PRODUCT SPEC 108-1226	
0 PLC ± -		APPLICATION SPEC 114-40027		
1 PLC ± -		SIZE A1		
2 PLC ± 0.13 [.005]		CAGE CODE DRAWING NO 00779		
3 PLC ± -		REV 5748979		
4 PLC ± -		CUSTOMER DRAWING		
ANGLES ± °		SCALE 4:1 SHEET 1 OF 1 REV A		
MATERIAL	FINISH	RESTRICTED TO		