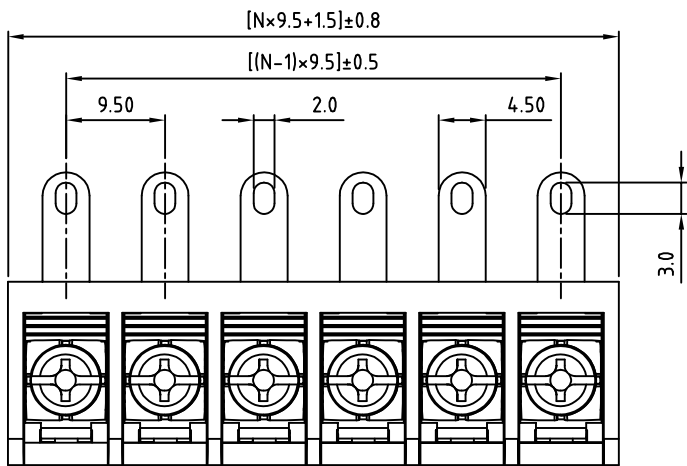
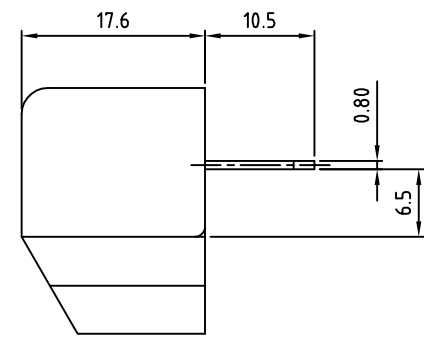
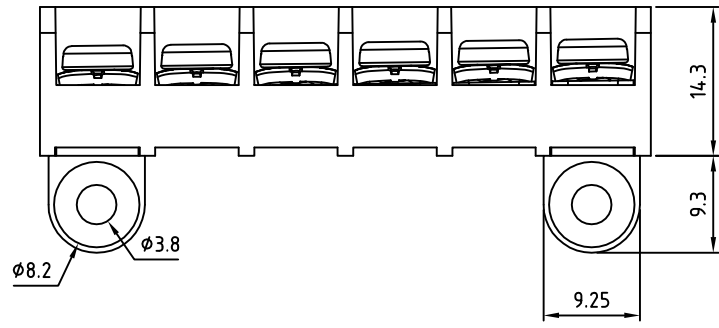


SIGN	DATE	DESCRIPTION	APPROVER
<i>THIS IS CAD DRAWING, DO NOT REVISE MANUALLY!!!</i>			



N=Number of poles



**SPECIFICATIONS**

VOLTAGE & CURRENT: 300 V, 25 A

WITHSTANDING VOLTAGE: AC 2000 V/Min

INSULATION RESISTANCE: 1000 MΩ OR MORE AT DC 500 V

TEMPERATURE RANGE: -40 °C ~ +105 °C

SCREW TORQUE VALUE: 10.54 Lb-In.

WIRE RANGE: 22 - 14 AWG

1) MOLDED PARTS: THERMOPLASTIC, UL 94 V-0 BLACK

2) TERMINAL: BRASS, 0.8t, Tin PLATED

3) TERMINAL SCREWS: STEEL, Ni PLATED, M3.5

APPROVAL:

RoHS Compliant

PART NUMBER: **OSTYK443XX030**

NO. OF POLES

02: 2 POLES

03: 3 POLES

04: 4 POLES

...

30: 30 POLES



THESE DRAWINGS AND SPECIFICATIONS ARE THE PROPERTY OF ON-SHORE TECHNOLOGY, INC. AND SHALL NOT BE REPRODUCED, COPIED OR USED IN ANY MANNER WITHOUT THE PRIOR WRITTEN CONSENT OF ON-SHORE TECHNOLOGY, INC.

TITLE		OSTYK-443 W/O Flange Series		
PART NO.	OSTYK443XX030	DWG NO.	OSTYK443XX030.DWG	
APPROVED	CHECKED	DESIGNED	DRAWN	CUST NO.
Shi Jun 2007.07.18	Seamus 2007.07.18	LUCY 2007.7.18	LUCY 2007.7.18	
				Tolerance X. ±0.50 X.X ±0.30 X.XX ±0.10 X° ±1°
SHEET: 01/01				REV.: B