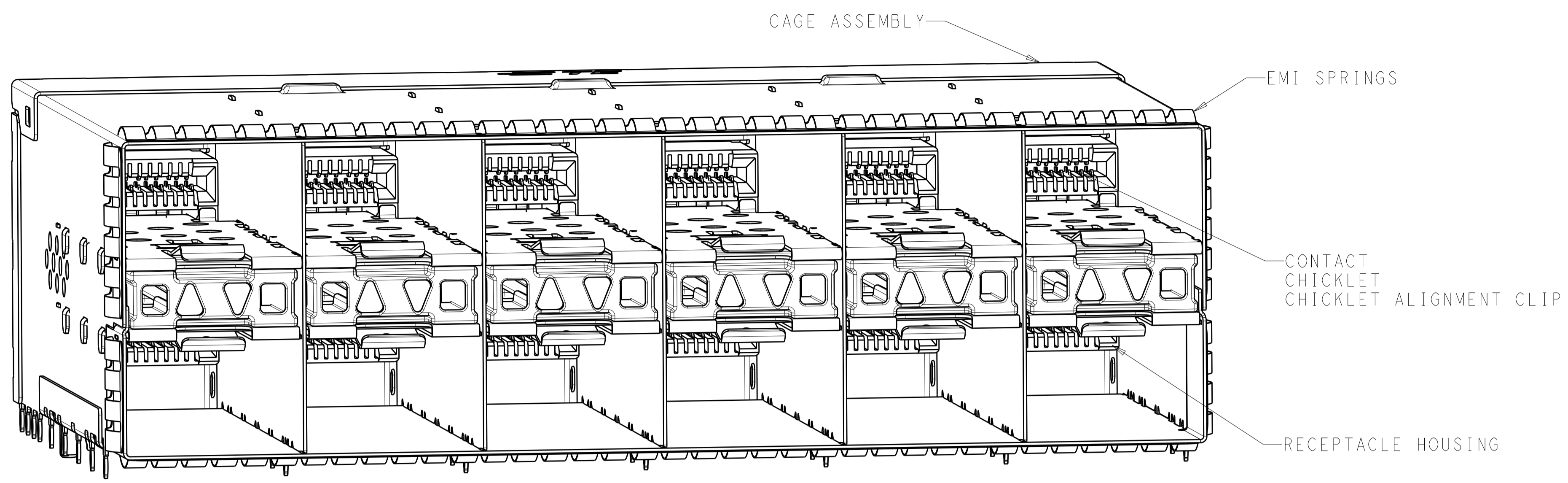


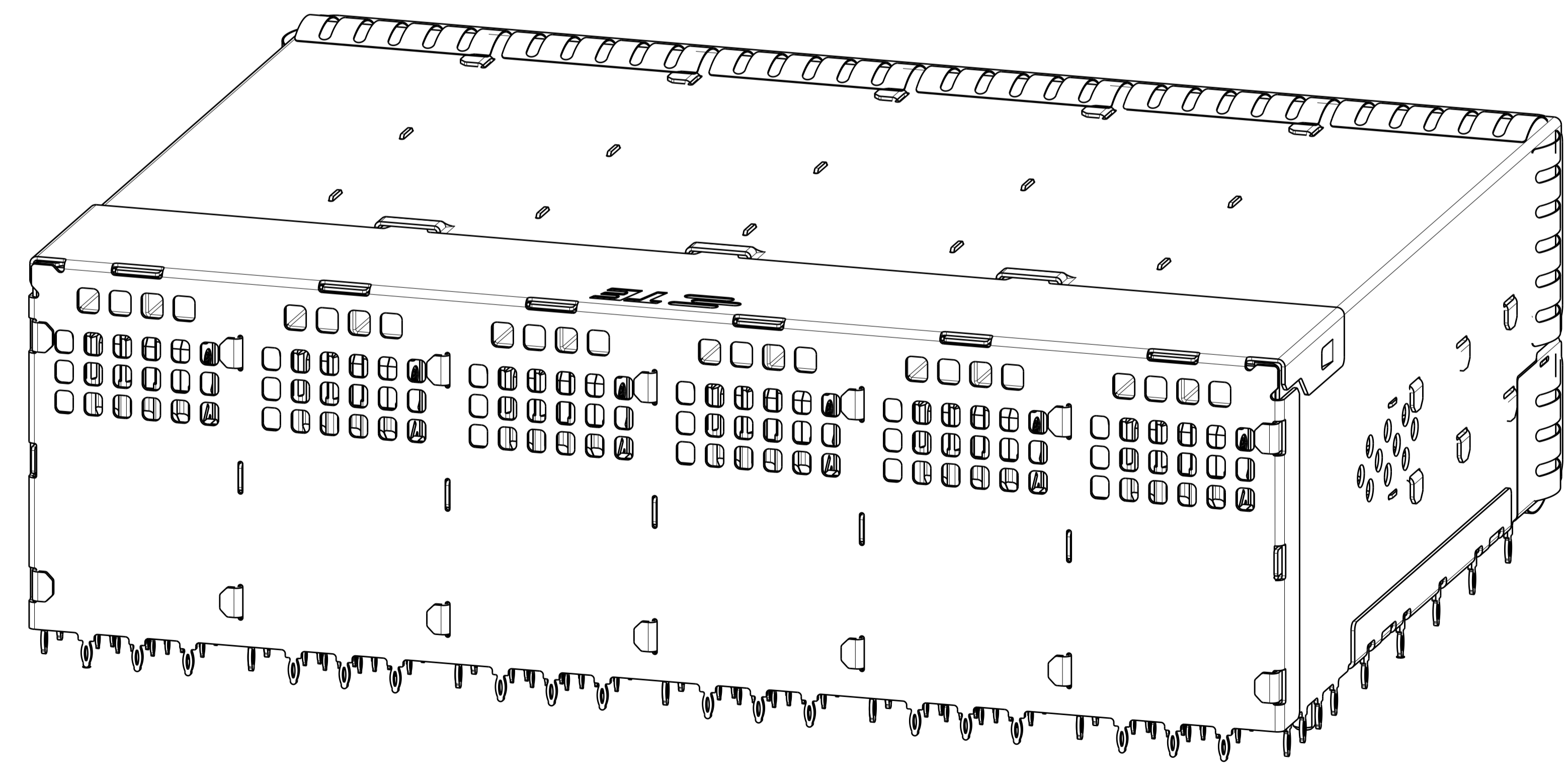
LOC	DIST	REVISIONS					
GP	00	P	LTN	DESCRIPTION	DATE	DWN	APVD
		1		INITIAL RELEASE	16MAR2015	BMM	PAR
		A		REVISED PER ECO-15-010819	10AUG2015	PP	SH



2291491-1
SCALE 4:1

RECEPTACLE HOUSING SHIELD

- MATERIALS:
 CAGE ASSEMBLY - NICKEL-SILVER ALLOY PER ASTM B 122
 CONNECTOR HOUSING - LCP, BLACK, UL 94V-0 RATED
 CONNECTOR HOUSING SHIELD - COPPER ALLOY
 CHICKLET - LCP, BLACK, UL 94V-0 RATED
 CHICKLET ALIGNMENT CLIP - PBT
 CONTACT - COPPER ALLOY
 EMI SPRINGS - PHOSPHOR BRONZE PER ASTM B 103,
 0.8µm MIN TIN PER ASTM B 545
 LIGHT PIPE - POLYCARBONATE
 LIGHT PIPE HOUSING - ZINC ALLOY
 - CONTACT FINISH:
 0.76µm MIN GOLD PER ASTM B 844 AT MATING INTERFACE,
 1.25µm MIN MATTE TIN PER ASTM B 545 AT PCB INTERFACE,
 ALL OVER 2.54µm MIN NICKEL PER QQ-N-290.
 - PCB MINIMUM THICKNESS = 1.5mm
- ⚠ FOR HOLE SIZE AND PLATINGS,
SEE APPLICATION SPECIFICATION 114-13319
- ⚠ LIGHT PIPE PAD LAYOUT IS FOR 0805 LOW PROFILE
LED PACKAGE WITH A HEIGHT OF 0.8mm
- ⚠ THE ENTIRE AREA OF THE CONNECTOR FOOTPRINT, INDICATED BY THE
DASHED LINE, TO BE CONSIDERED THE KEEP-OUT AREA FOR COMPONENTS
AND SIGNAL TRACES, TOP SIDE ONLY, TOP SIDE TRACES ALLOWED
WITHIN CONNECTOR HOLE PATTERN



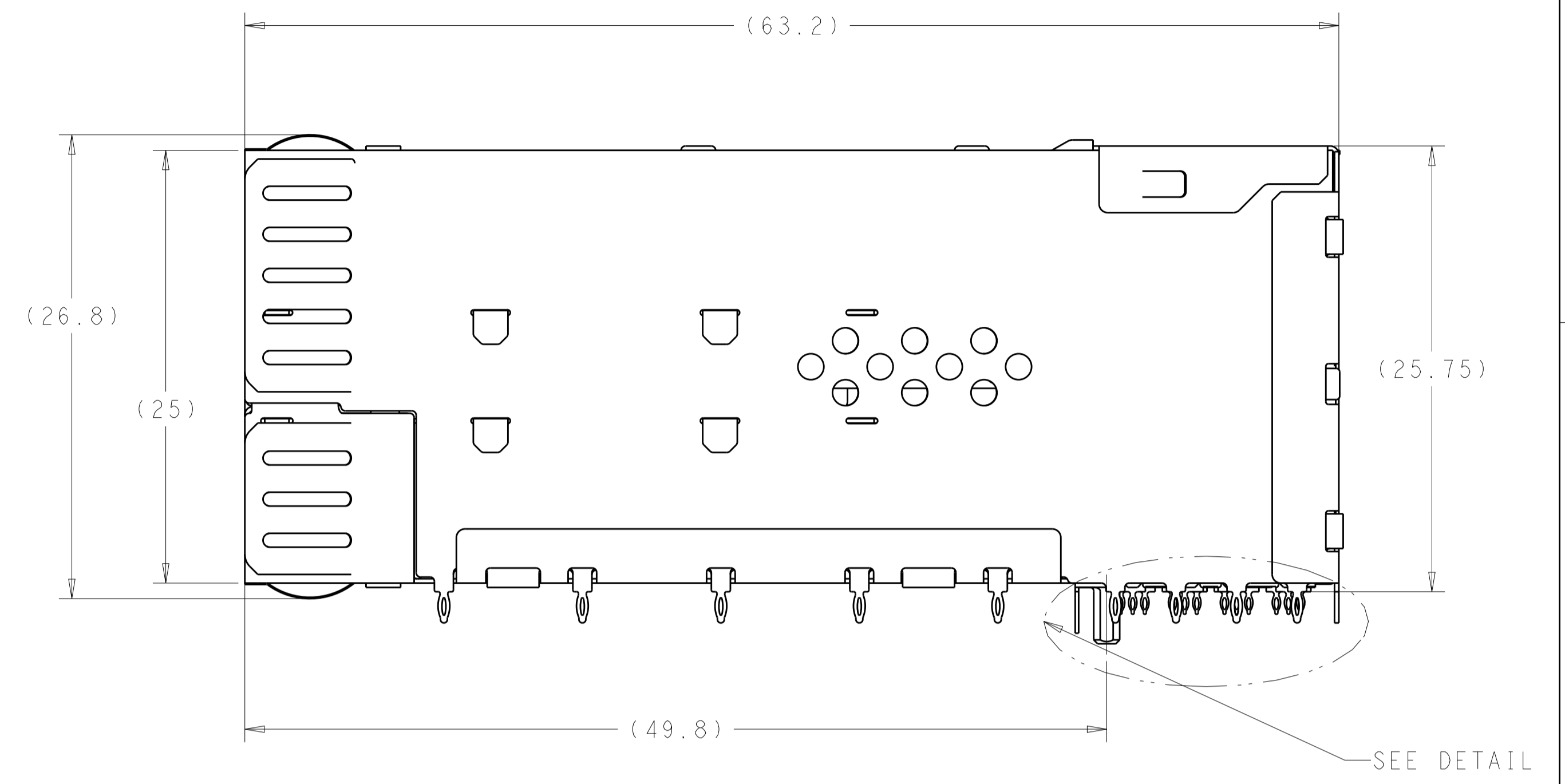
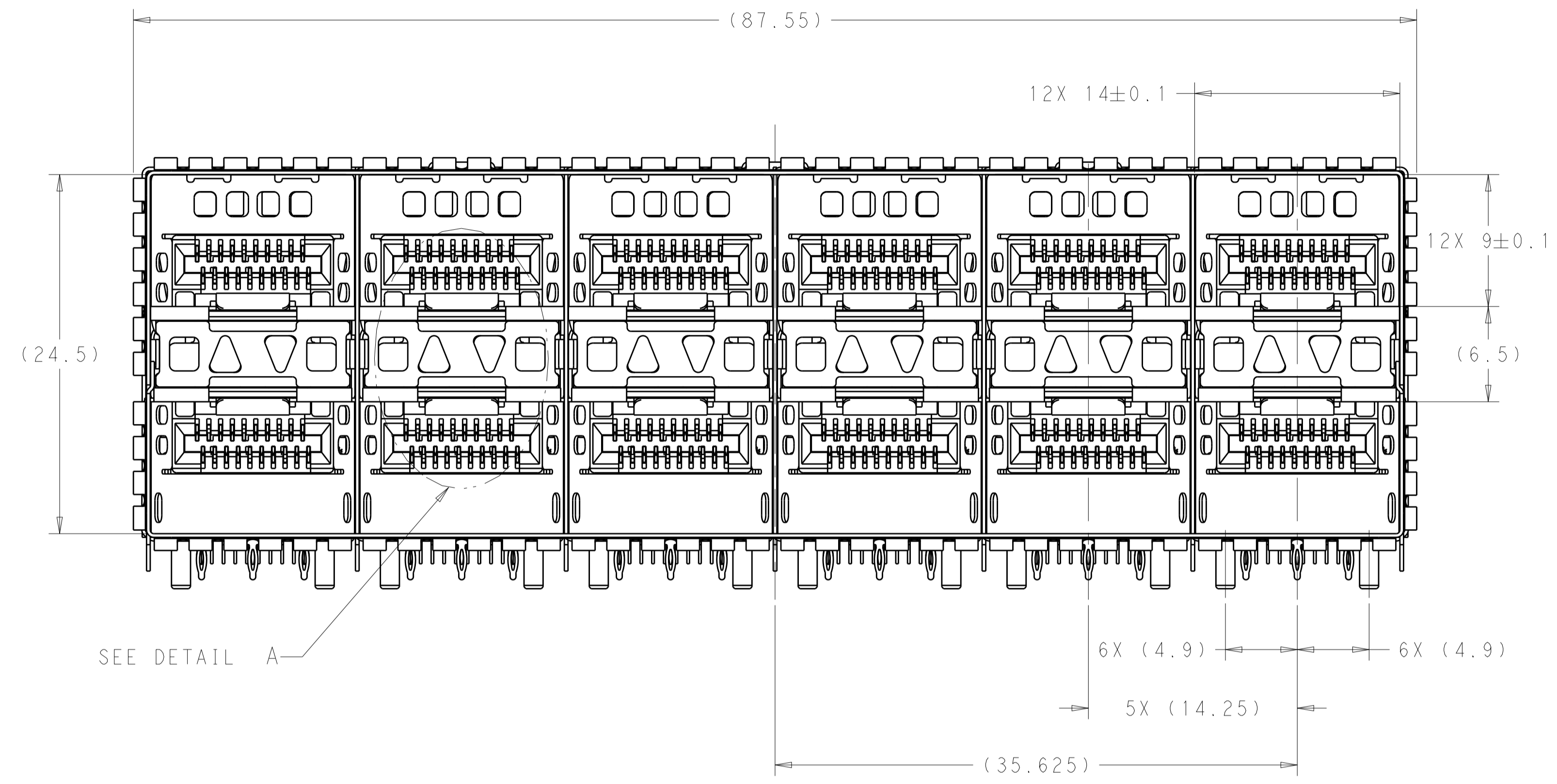
SCALE 4:1

2291491-1
PART NUMBER

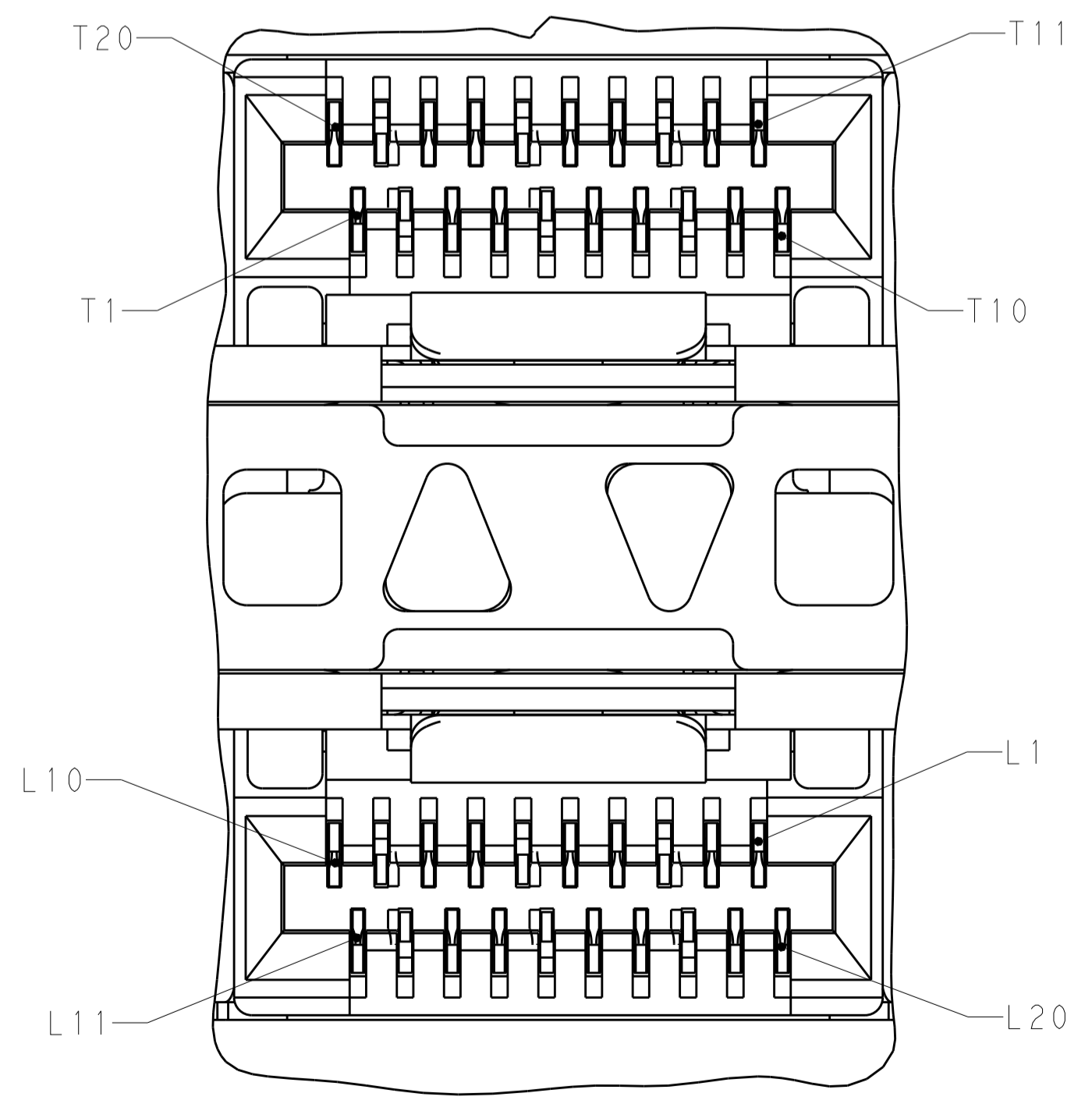
DESIGN APPROVED THIS PRINT IS
PRELIMINARY
TO FIRST PIECE APPROVAL
CONTACT PRODUCT ENGINEERING
BEFORE USING THIS PRINT

THIS DRAWING IS A CONTROLLED DOCUMENT.		DWN B. MATTHEWS 16MAR2015	TE Connectivity
DIMENSIONS: mm		CHK P. RECCE 16MAR2015	
		APVD P. RECCE 16MAR2015	NAME RECEPTACLE ASSEMBLY, 2X6, STACKED, 2SFP+ THERMAL
TOLERANCES UNLESS OTHERWISE SPECIFIED:		PRODUCT SPEC	SIZE A100779C=2291491
0 PLC ±		108-2481	RESTRICTED TO
1 PLC ±		APPLICATION SPEC	
2 PLC ±		114-13319	SCALE 1:1 SHEET 1 OF 4 REV A
3 PLC ±		WEIGHT	
4 PLC ±		Customer Drawing	
ANGLES ±			
FINISH SEE NOTES			

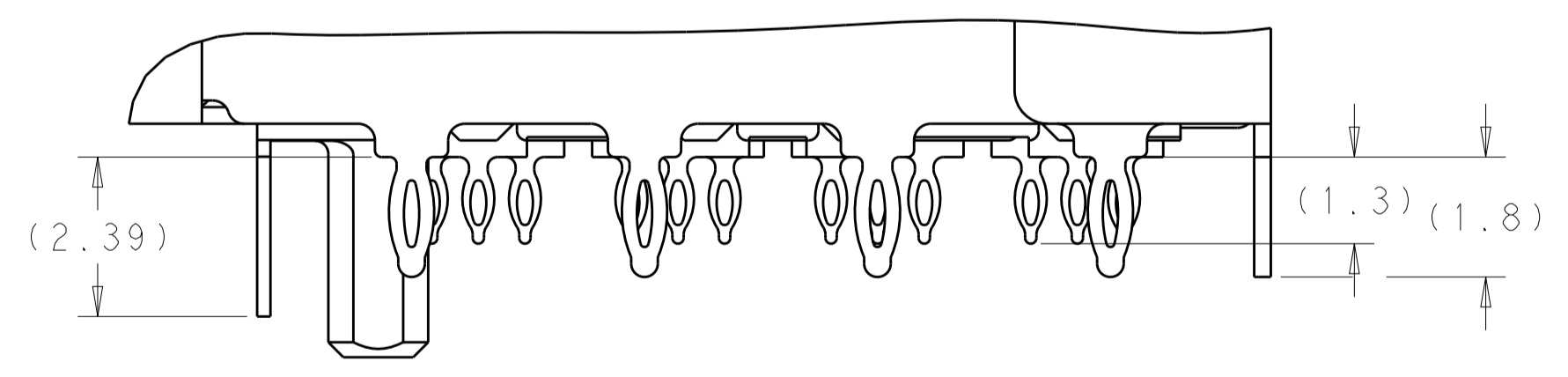
LOC	DIST	REVISIONS					
GP	00	P	LTN	DESCRIPTION	DATE	DMN	APVD
		-		SEE SHEET 1			



SCALE 4:1



DETAIL A
 6X INDIVIDUALLY
 SCALE 10:1

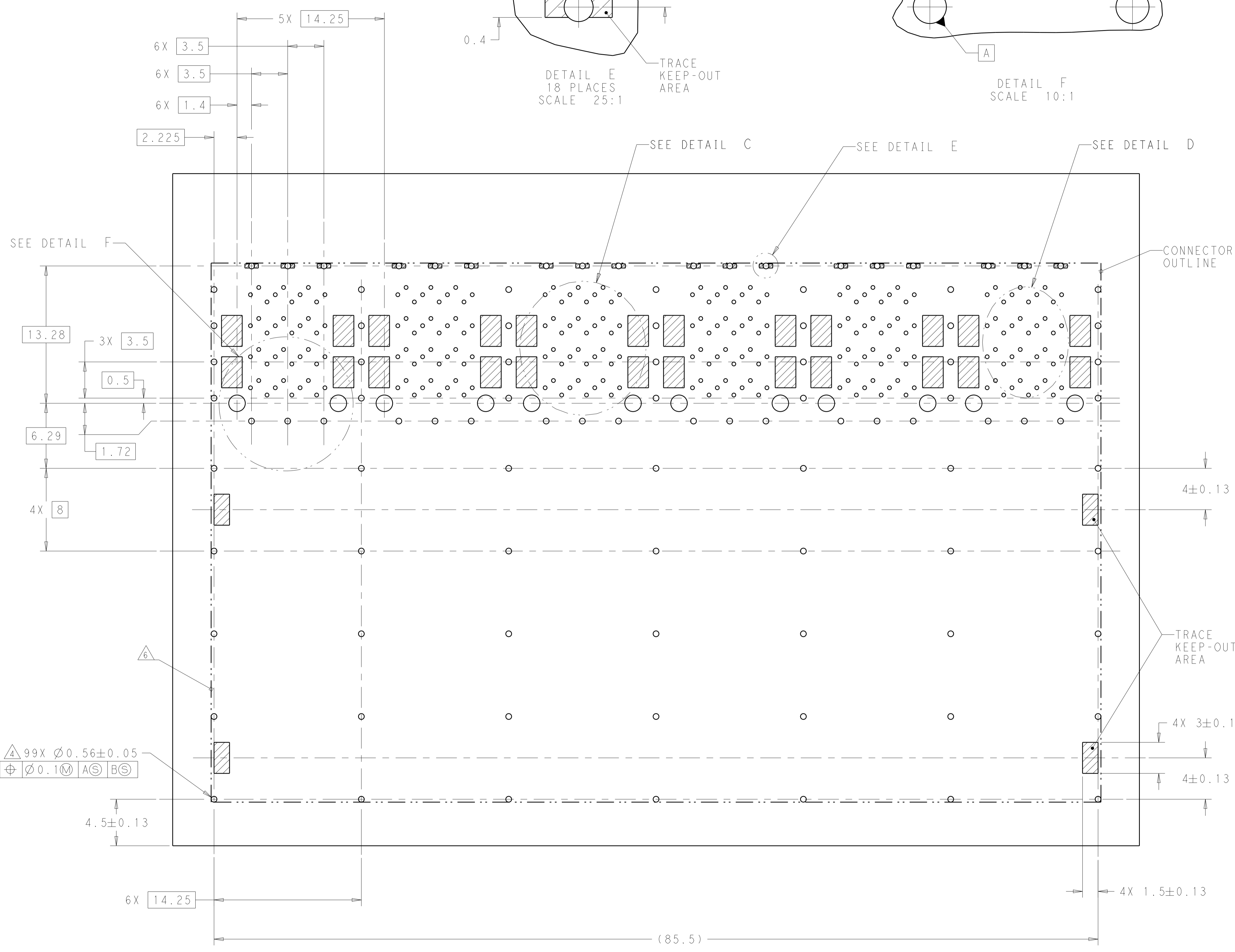
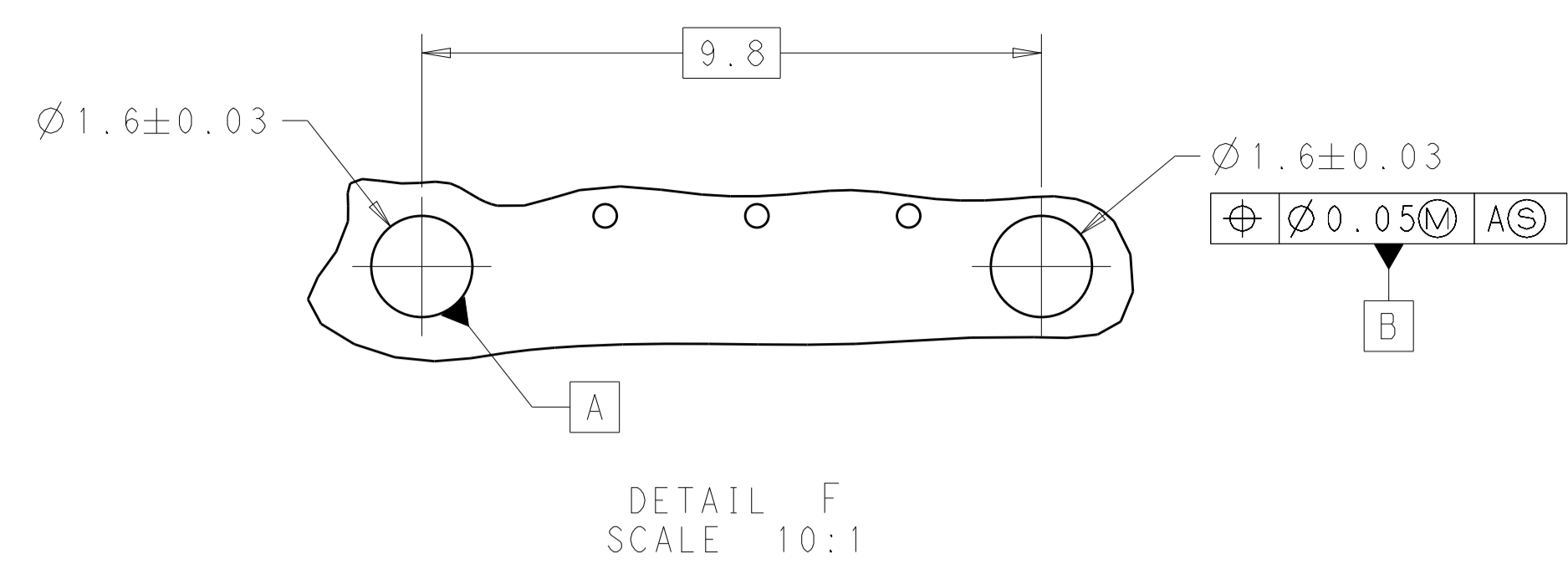
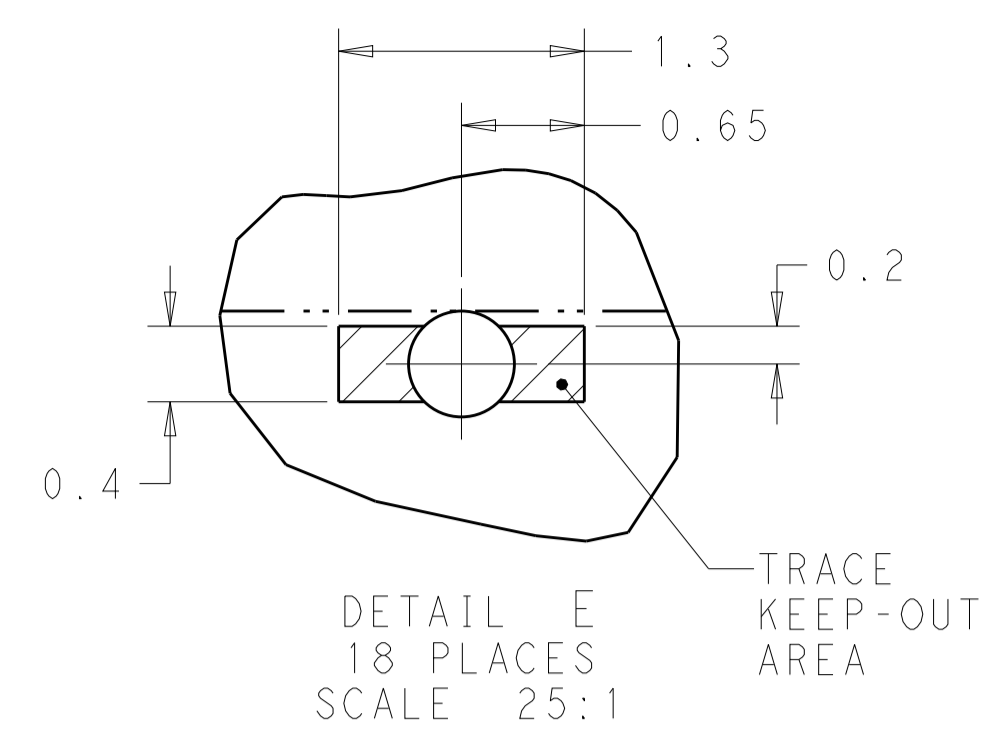


DETAIL B
 SCALE 10:1

DESIGN APPROVED THIS PRINT IS
PRELIMINARY
 TO FIRST PIECE APPROVAL
 CONTACT PRODUCT ENGINEERING
 BEFORE USING THIS PRINT

THIS DRAWING IS A CONTROLLED DOCUMENT.		DMN B. MATTHEWS 16MAR2015	TE Connectivity
DIMENSIONS: mm		CHK P. RECCE 16MAR2015	
TOLERANCES UNLESS OTHERWISE SPECIFIED:		APVD P. RECCE 16MAR2015	NAME RECEPTACLE ASSEMBLY, 2X6, STACKED, 2SFP+ THERMAL
0 PLC ± 1 PLC ± 2 PLC ± 3 PLC ± 4 PLC ± ANGLES ±		PRODUCT SPEC 108-2481	SIZE CAGE CODE DRAWING NO. A100779C=2291491
MATERIAL SEE NOTES		APPLICATION SPEC 114-13319	RESTRICTED TO
FINISH SEE NOTES		WEIGHT	SCALE 1:1 SHEET 2 OF 4 REV A
		Customer Drawing	

LOC	DIST	REVISIONS					
GP	00	P	LTN	DESCRIPTION	DATE	DWN	APVD
		-	-	SEE SHEET 1	-	-	-



4 99X Ø0.56±0.05
 ⊕ Ø0.1M A S B S

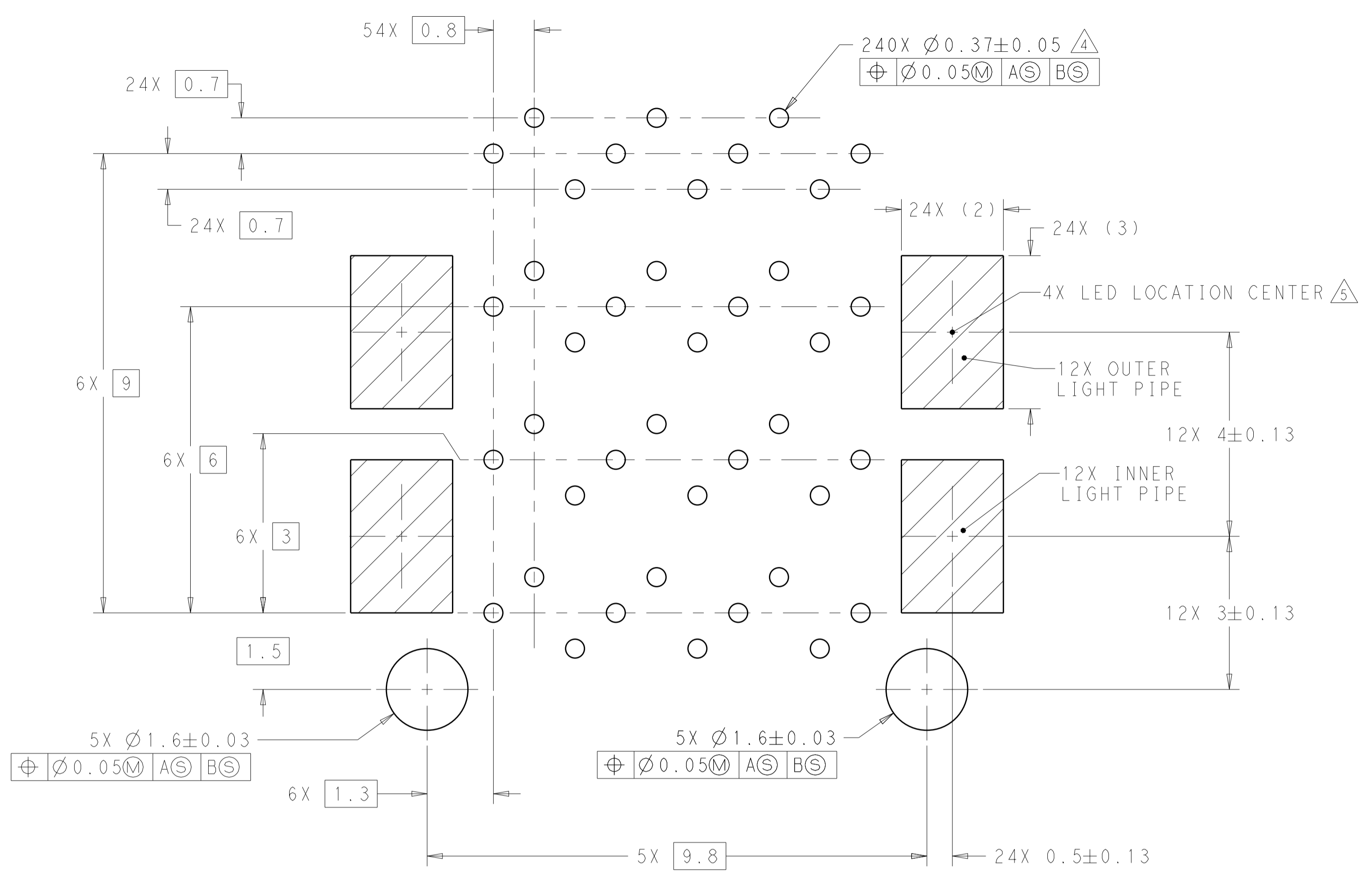
RECOMMENDED PCB LAYOUT
 SCALE 5:1

DESIGN APPROVED THIS PRINT IS
PRELIMINARY
 TO FIRST PIECE APPROVAL
 CONTACT PRODUCT ENGINEERING
 BEFORE USING THIS PRINT

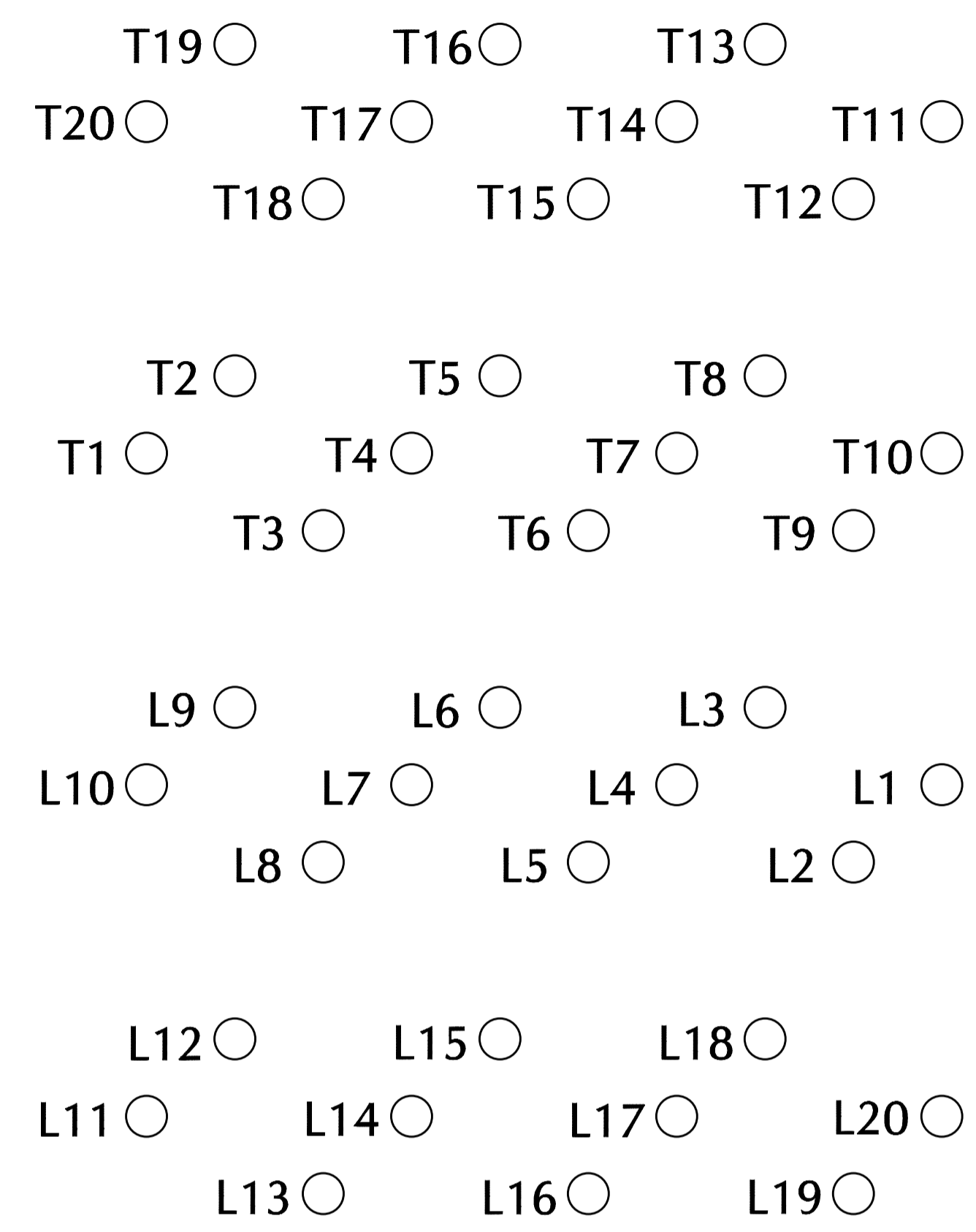
THIS DRAWING IS A CONTROLLED DOCUMENT.		DWN B. MATTHEWS 16MAR2015	TE Connectivity
DIMENSIONS: mm		CHK P. RECCE 16MAR2015	
TOLERANCES UNLESS OTHERWISE SPECIFIED:		APVD P. RECCE 16MAR2015	NAME
0 PLC ±	1 PLC ±	PRODUCT SPEC	RECEPTACLE ASSEMBLY, 2X6, STACKED, 2SFP+ THERMAL
2 PLC ±	3 PLC ±	APPLICATION SPEC	SIZE CAGE CODE DRAWING NO
4 PLC ±	ANGLES ±	114-13319	A100779C=2291491
MATERIAL SEE NOTES	FINISH SEE NOTES	WEIGHT	RESTRICTED TO
Customer Drawing		SCALE 1:1	SHEET 3 OF 4 REV A

LOC	DIST	REV	DATE	BY	APPV
GP	00				

REVISIONS			
NO.	DESCRIPTION	DATE	BY
-	SEE SHEET 1	-	-

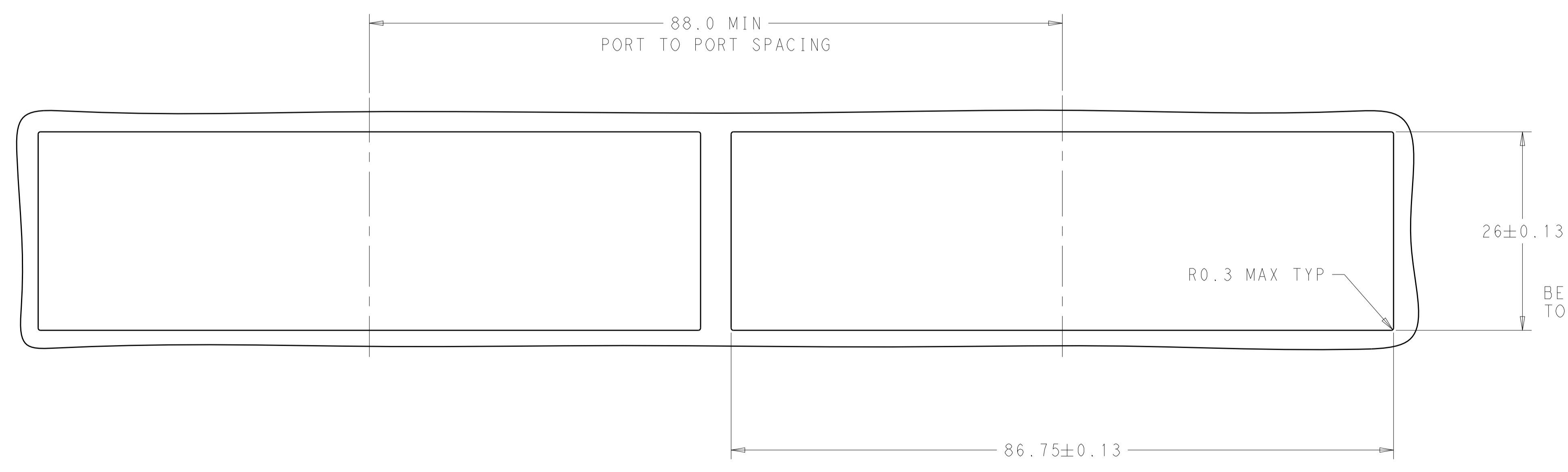


DETAIL C
 RECOMMENDED PIN AND LIGHT PIPE LAYOUT
 SCALE 15:1

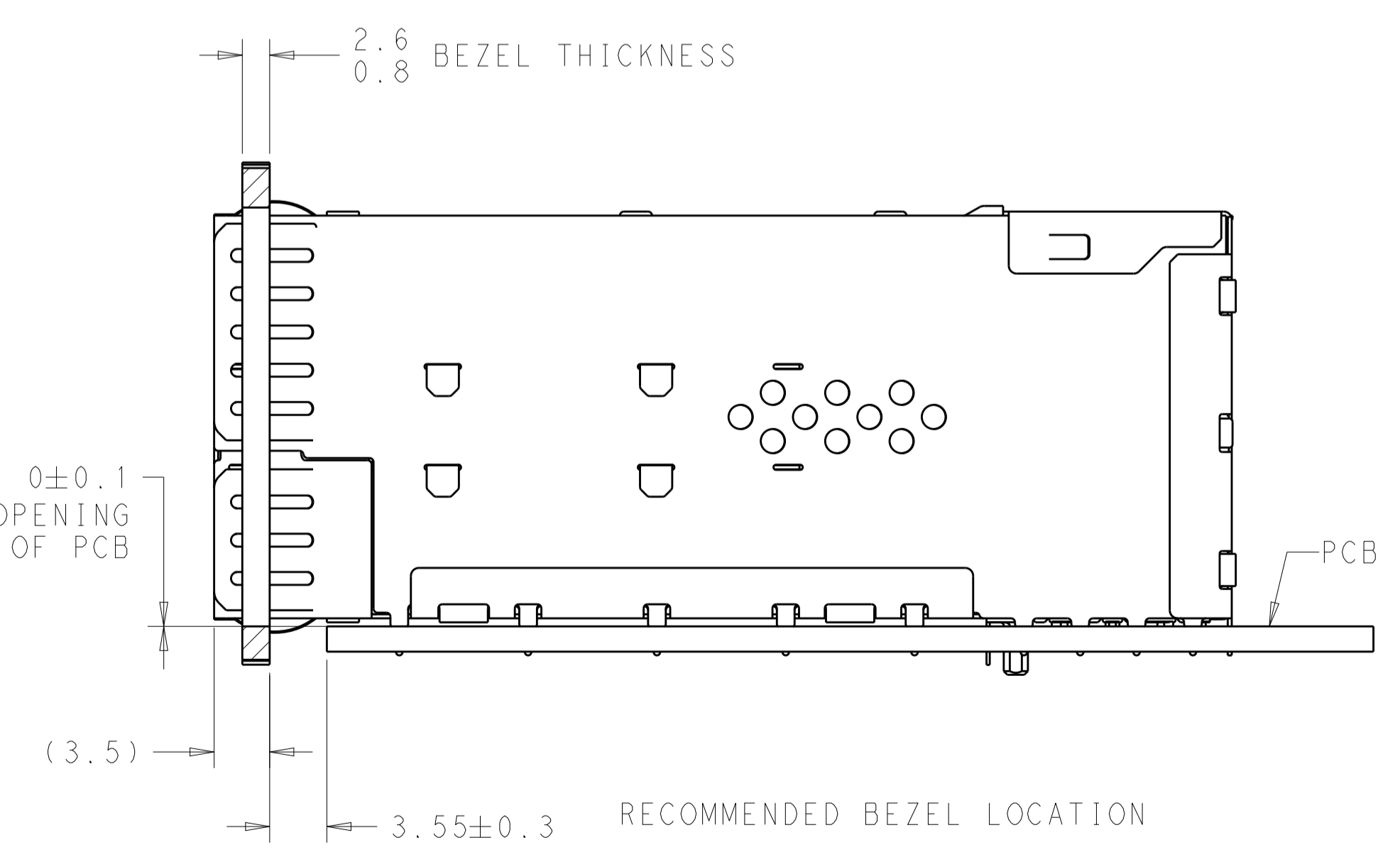


PIN MAP LEGEND	
PIN NUMBER	FUNCTION
L1/T1	VEET
L2/T2	TX-FAULT
L3/T3	TX-DISABLE
L4/T4	SDA
L5/T5	SCL
L6/T6	MOD_ABS
L7/T7	RSO
L8/T8	RX_LOS
L9/T9	RS1
L10/T10	VEER
L11/T11	VEER
L12/T12	RD-
L13/T13	RD+
L14/T14	VEER
L15/T15	VCCR
L16/T16	VCCT
L17/T17	VEET
L18/T18	TD+
L19/T19	TD-
L20/T20	VEET

DETAIL D
 PIN MAP
 6 PLACES
 SCALE 20:1



RECOMMENDED BEZEL CUT-OUT DETAIL
 SCALE 5:2



RECOMMENDED BEZEL LOCATION

DESIGN APPROVED THIS PRINT IS
PRELIMINARY
 TO FIRST PIECE APPROVAL
 CONTACT PRODUCT ENGINEERING
 BEFORE USING THIS PRINT

THIS DRAWING IS A CONTROLLED DOCUMENT.		OWN: B. MATTHEWS 16MAR2015	TE Connectivity
DIMENSIONS: mm		CHK: P. RECCE 16MAR2015	
TOLERANCES UNLESS OTHERWISE SPECIFIED:		APVD: P. RECCE 16MAR2015	NAME: RECEPTACLE ASSEMBLY, 2X6, STACKED, 2SFP+ THERMAL
0 PLC ±		PRODUCT SPEC: 108-2481	
1 PLC ±		APPLICATION SPEC: 114-13319	SIZE: A100779 C=2291491
2 PLC ±		WEIGHT: -	
3 PLC ±		FINISH: SEE NOTES	SCALE: 1:1 SHEET 4 OF 4 REV A
4 PLC ±		MATERIAL: SEE NOTES	
ANGLES ±		Customer Drawing	