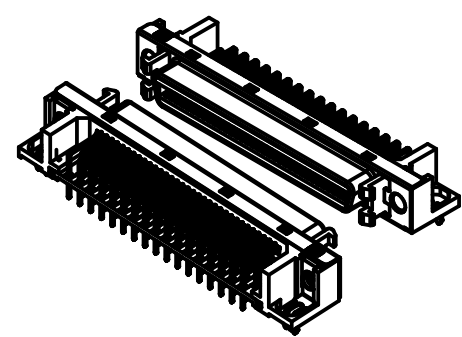


PCB layout: component side



According to IEC 61076-3-100
1) see TB 60 11 068 5740 folio 2/2
for reel packaging.

All Dimensions in mm Original Size DIN A 3			Techn. Character.			Free size tolerances		
				Dat.	Name	Scale 2:1	har.mik® I/O bellow	
			Detail.	29-OCT-09	Chris.W		68P Har.mik female SMC with angled solder pins, boardLocks, fixed latches	
			Insp.					
			Stand.					
EC01456	13-Apr-10	J.Sheng	Zhuhai Harting Limited				TB 60 11 068 5740	
31770	29-OCT-09	Chris.W						Page 1/2
Mod.	Dat.	Name						Sub.

All rights reserved