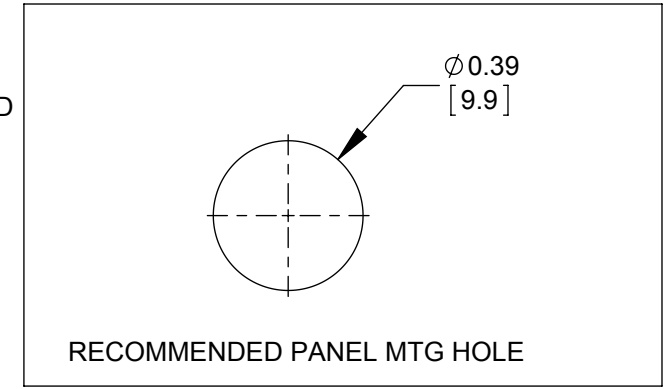
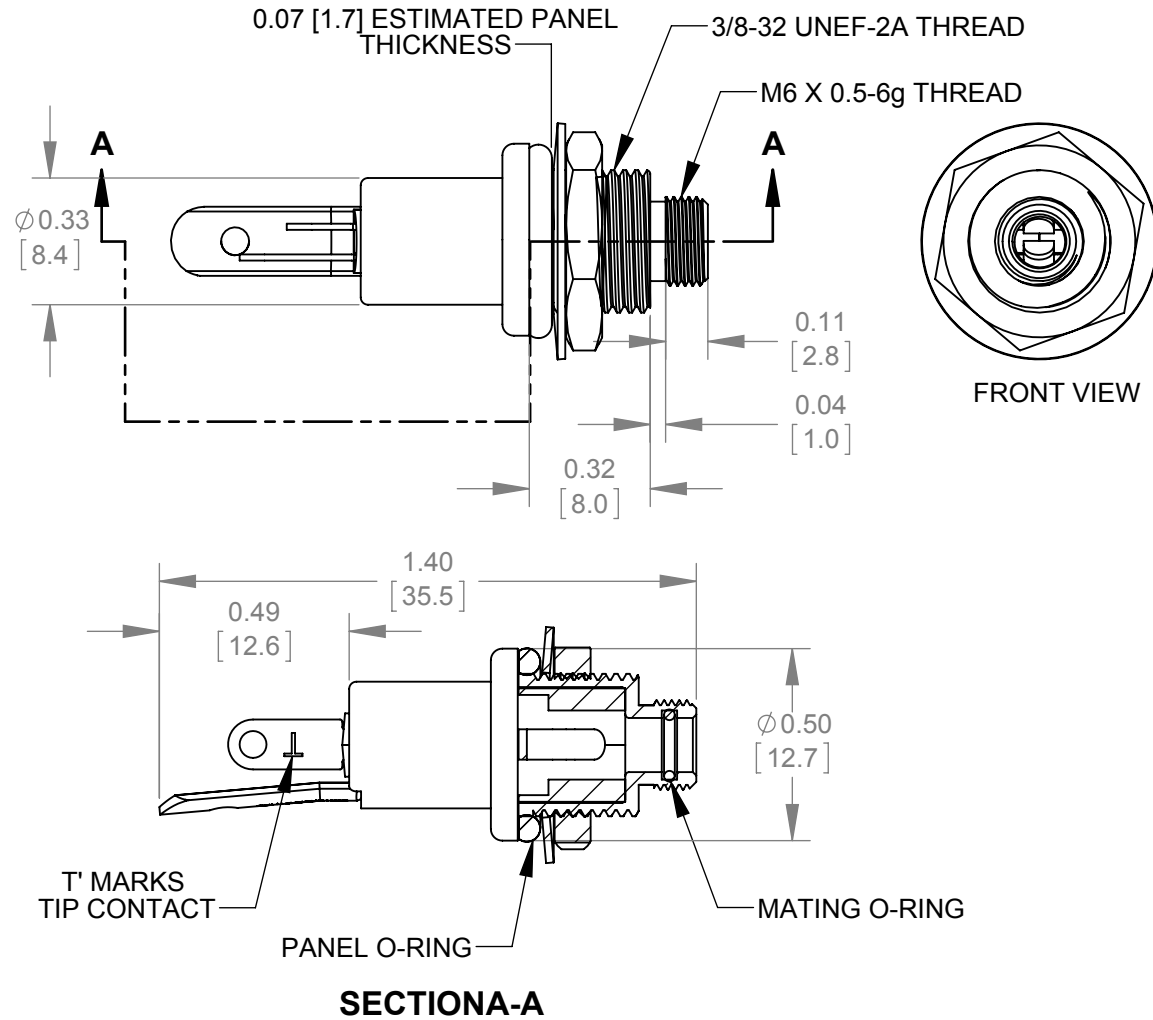


35RM3

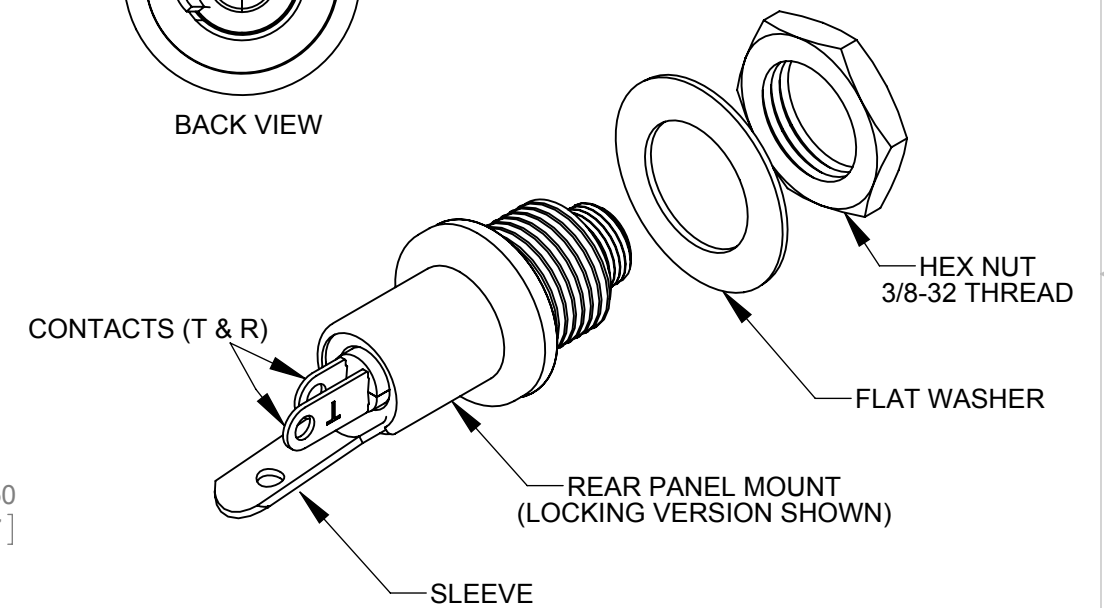
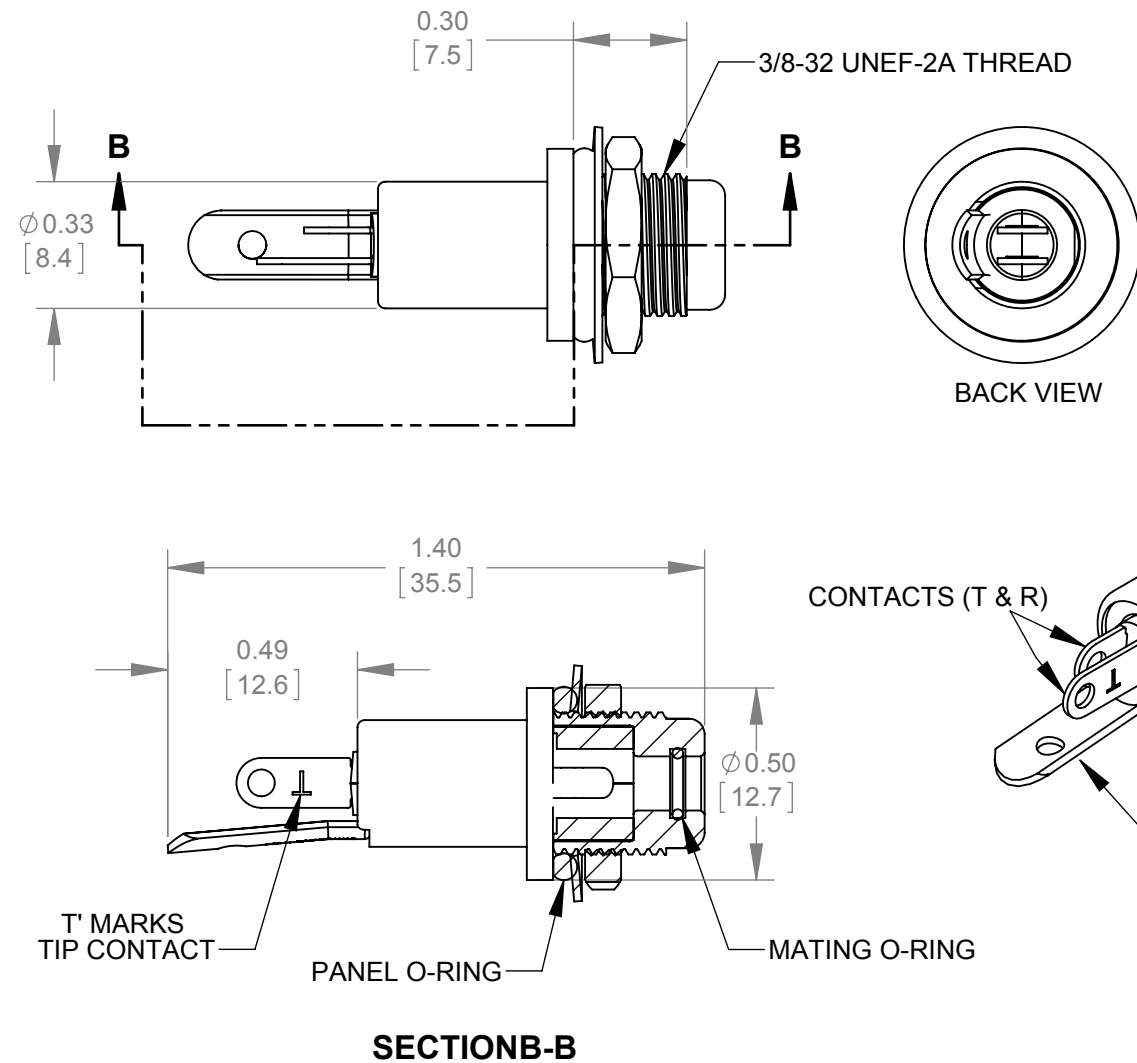
S - SEALED
BLANK - NON SEALED
L - LOCKING
BLANK - NON LOCKING
AU - GOLD
BLANK - SILVER



LOCKING & SEALED ASSEMBLY SHOWN



NON LOCKING & SEALED ASSEMBLY SHOWN



NOTES:

- USE SWITCHCRAFT'S 3.5MM LOCKING STEREO PLUG FOR MATING.
- DIMENSIONS SHOWN FOR REFERENCE ONLY.
- HEX NUT, WASHER AND O-RINGS ARE PROVIDED ASSEMBLED TO THE HOUSING ASSEMBLY. NO O-RINGS SUPPLIED WITH NON SEALED VERSIONS.
- MATERIAL:
HOUSINGS, HEX NUT - COPPER ALLOY, NICKEL PLATED
FLAT WASHERS - STEEL, NICKEL PLATED
CONTACTS - BERYLLIUM COPPER, SILVER PLATED
O-RINGS - NITRILE RUBBER, 70 DUROMETER
- THIS PRODUCT IS RoHS COMPLIANT.

**PRELIMINARY
CUSTOMER DRAWING**

					UNLESS OTHERWISE SPECIFIED					THIS DRAWING DESCRIBES A DESIGN CONSIDERED PROPRIETARY IN NATURE, DEVELOPED AND MANUFACTURED BY SWITCHCRAFT INC. AND IS RELEASED ON A CONFIDENTIAL BASIS FOR IDENTIFICATION PURPOSES ONLY.				
					1. ALL DIMENSIONS IN INCHES [mm]					SIZE *	WIDTH *	MULT *	LBS/M *	TEMPER *
					- TWO PLACE DECIMALS ±0.02 [0.5]					FINISH *				
					- THREE PLACE DECIMALS ±0.005 [0.13]					SPEC No. *				
										FIRST USED ON *				
										SCALE 2:1				
										DATE DRAWN BY CHKD APVD				
										02/10/17 AM * *				
										NAME 3.5MM JACK ASSM REAR PANEL MOUNT, RoHS				
										PART No. 35RM3 SERIES				
										SHEET 1 OF 1				
										REV 0A				

DO NOT SCALE DRAWING

SolidWorks CAD File **B**