

INSTALLATION INSTRUCTIONS FOR SYMCOM'S LOAD SENSOR MODELS LSR-24/115/230

**BE SURE POWER IS DISCONNECTED PRIOR TO INSTALLATION!!
FOLLOW NATIONAL, STATE AND LOCAL CODES!**

CONNECTIONS

1. Mount the Model LSR-24/115/230 near one of the conductors of the load which is to be monitored. If the unit is in a wet or dusty environment, a NEMA 4 or 12 enclosure should be used. Install according to all local, state and national electric codes.
2. Insert one of the conductors of the load which is to be monitored through the sensor hole in the Model LSR-24/115/230. If the conductor current is less than 2 Amps, multiple passes must be made. Refer to Table No. 1 for the number of required passes.
3. Energize the load which is to be monitored, ensuring typical current for the load is drawn, and apply appropriate control voltage to "L1" and "L2."
4. To operate the LSR-24/115/230 in a load loss detection mode, turn the "SET POINT" adjustment screw counterclockwise until the "OUTPUT STATUS" LED illuminates. If the LED is already illuminated, turn the screw clockwise until the LED is off, then turn the screw counterclockwise until the LED illuminates. Turn the screw a 1/4 to 1/2 turn counterclockwise from this point. Turning the screw further counterclockwise will make the unit less sensitive; conversely, a clockwise turn will make the unit more sensitive.

To operate the LSR-24/115/230 in an overload detection mode, turn the "SET POINT" screw clockwise until the "OUTPUT STATUS" LED turns off. If the LED is already off, turn the screw counterclockwise until the LED is illuminated, then turn the screw clockwise until the LED turns off. Turn the screw a 1/4 to 1/2 turn clockwise from this point. Turning the screw further clockwise will make the unit less sensitive; conversely, a counter-clockwise turn will make the unit more sensitive.

- . Connect the Model LSR-24/115/230 contacts to the desired control circuit.
Refer to Figure No. 1 for typical wiring diagrams.

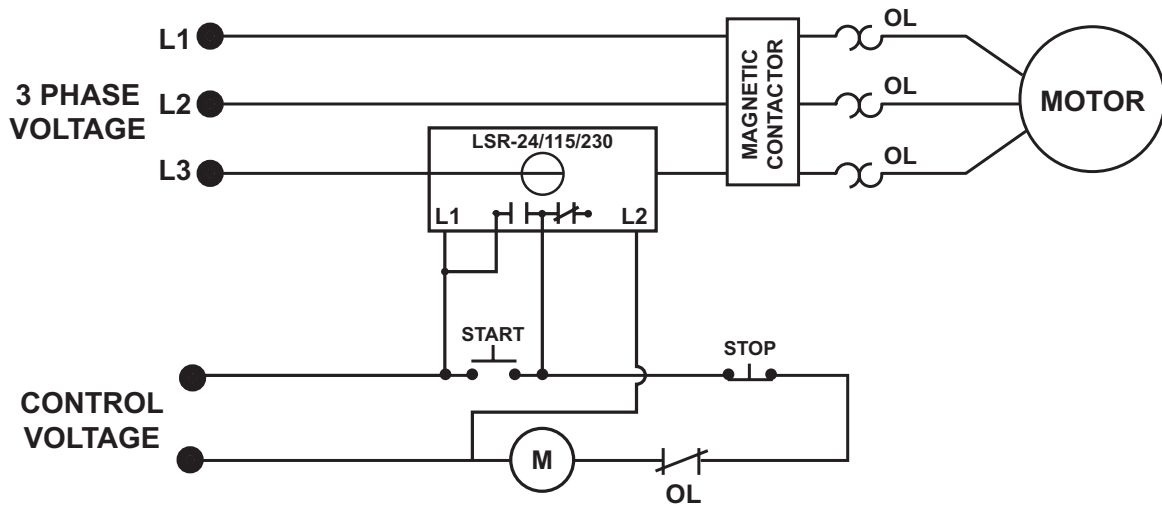
Conductor Amps	Number of Conductor Passes Required
>2	1
1 - 2	2
.5 - 1	4
.25 - .5	8
.125 - .25	16

**Table No. 1: Number of Conductor Passes Required Through
the Model LSR-24/115/230 Sensor Hole**

I-LSR-XXX-C

SPECIFICATIONS	MODELS LSR-24, 115, and 230
Sensor Power	24, 115 or 230 VAC
Isolation	600 VAC rms
Trip set-point	Adjustable to $\pm 1\%$ range
Hole Size	0.725"

TYPICAL WIRING DIAGRAM FOR LOAD LOSS DETECTION



TYPICAL WIRING DIAGRAM FOR OVERLOAD DETECTION

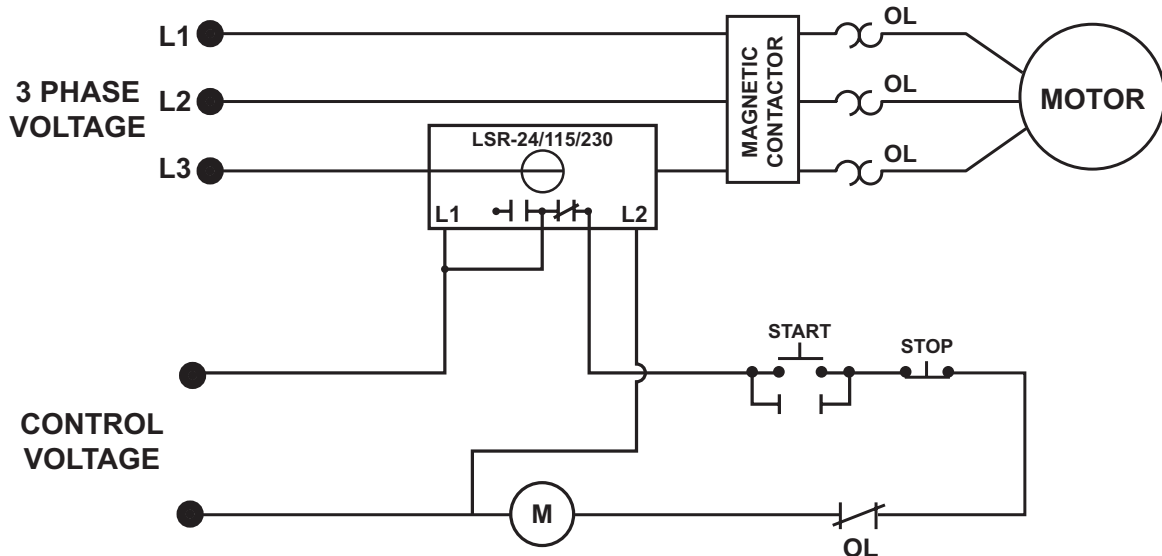


Figure No. 1: Typical Wiring Diagrams