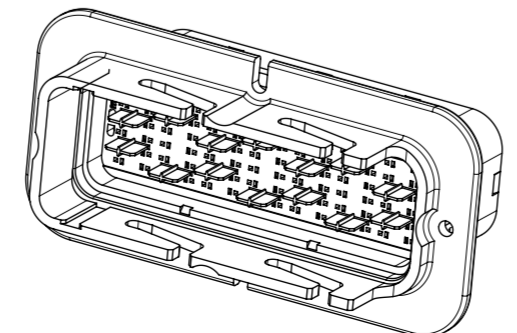


- NOTES:**
- MATERIALS:**  
HOUSINGS: SPS/NYLON BLEND, GLASS FILLED, UL 94 HB  
SEAL: SILICONE RUBBER
  - MX150 BLADE TERMINALS PER SD-33000-001 TO BE USED WITH THIS ASSEMBLY IN CAVITIES A, B, C, D, E, F, & G, CRIMPED WITH CABLE INSULATION OUTER DIAMETER IN THE RANGE 1.5mm TO 2.7mm
  - PRODUCT SPECIFICATION: 850830010 PSP
  - PACKAGING SPECIFICATION: 850710010 PSK
  - MATES WITH: SRC 84 WAY RECEPTACLE HOUSING ASSEMBLY PART NUMBER 932870001 PER 932870001 PSD
  - APPLICATION SPECIFICATION: 850830010 PSA
  - FLANGE GASKET OPTION: REFER TO 850710017 PSD

INSPECTION NUMBERS RESERVED FOR SHEET 1: 1-50  
LAST INSPECTION NUMBER USED: 1

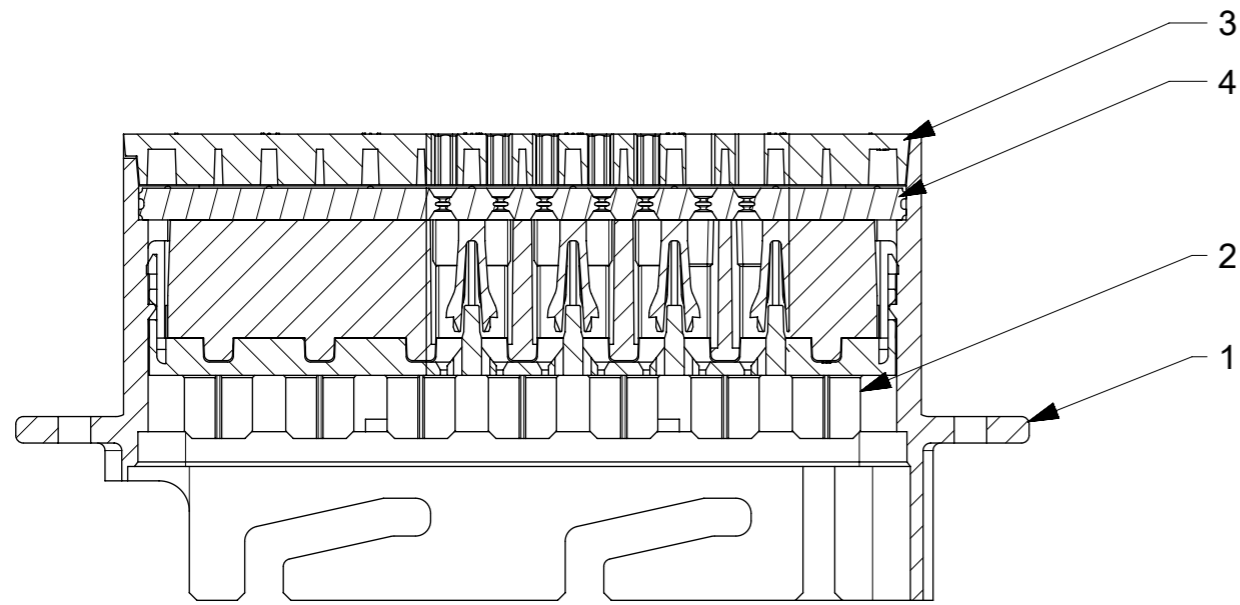
No.	DESCRIPTION	QTY.	COLOUR
4	MALE BACK SEAL	1	RUST RED
3	MALE REAR COVER	1	BLACK
2	MALE FRONT COVER (TPA)	1	GREEN
1	MALE HOUSING	1	BLACK

**BILL OF MATERIAL**



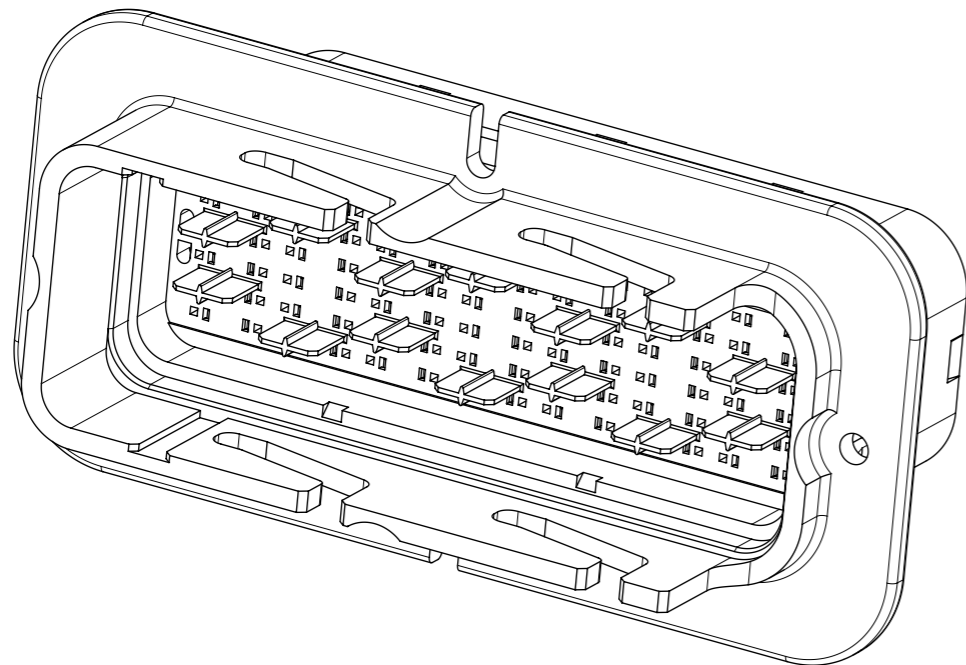
QUALITY SYMBOLS	THIS DRAWING CONTAINS INFORMATION THAT IS PROPRIETARY TO MOLEX ELECTRONIC TECHNOLOGIES, LLC AND SHOULD NOT BE USED WITHOUT WRITTEN PERMISSION		GENERAL TOLERANCES (UNLESS SPECIFIED)		DIMENSION UNITS	SCALE
▽ = 0	REPLACE SD-93288-001	2016/01/21	MM	1:1		
▽ = 0	EC NO: 102579	2016/01/22	ANGULAR TOL ± 0.5 °		DRWN BY	DATE
▽ = 0	DRWN: AJOBRIEN	2016/01/22	4 PLACES ±		AJOBRIEN	2016/01/21
▽ = 0	CHKD: SMCGREEVY	2016/01/26	3 PLACES ±		CHK'D BY	DATE
▽ = 0	APPR: JDWALLACE		2 PLACES ± 0.2		SMCGREEVY	2016/01/22
▽ = 0			1 PLACE ± 0.5		APPR BY	DATE
▽ = 0			0 PLACES ±		JDWALLACE	2016/01/26
□ = 0			DRAFT WHERE APPLICABLE MUST REMAIN WITHIN DIMENSIONS		DRAWING SIZE	THIRD ANGLE PROJECTION
■ = 0					A2	
▽ = 0						

SRC MALE 84 WAY / 84 WAY 2.5 BLADE HOUSING ASSEMBLY		
PRODUCT CUSTOMER DRAWING		
SERIES	MATERIAL NUMBER	CUSTOMER
93288	SEE NOTES	GENERAL MARKET
DOCUMENT NUMBER	DOC TYPE	DOC PART SHEET NUMBER
932880001	PSD	000 1 OF 2



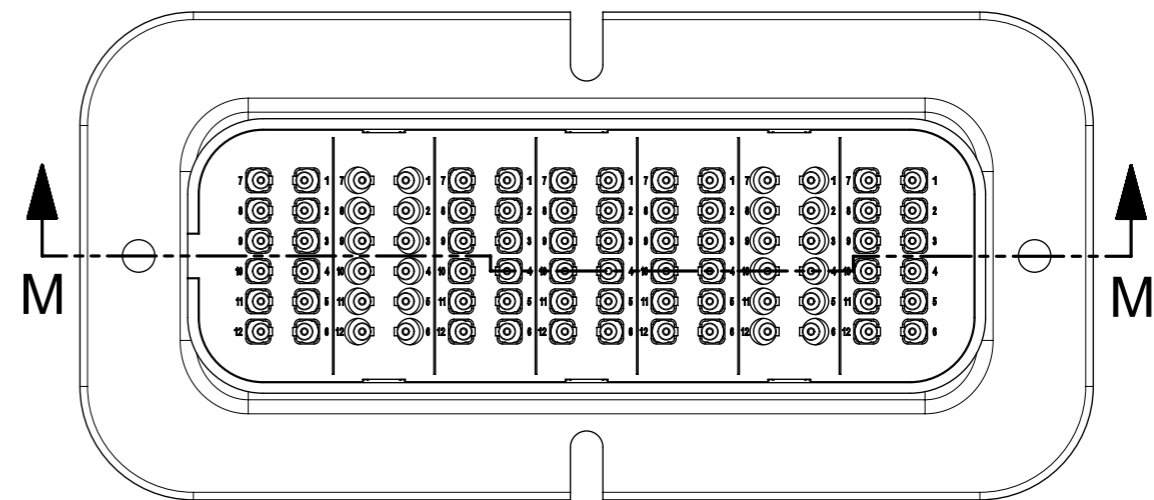
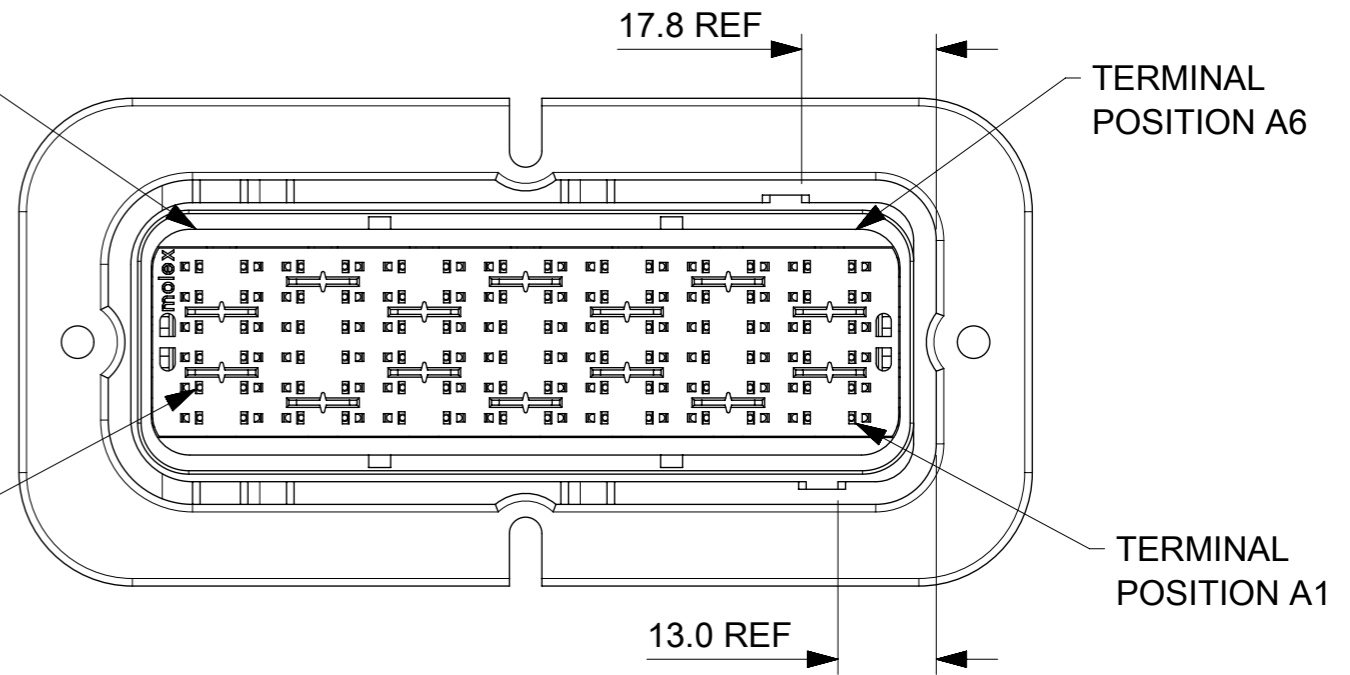
SECTION M-M

4	MALE BACK SEAL	1	RUST RED
3	MALE REAR COVER	1	BLACK
2	MALE FRONT COVER (TPA)	1	GREEN
1	MALE HOUSING	1	BLACK
No.	DESCRIPTION	QTY.	COLOUR
BILL OF MATERIAL			



3  
4  
2  
1

TERMINAL POSITION G12



NOTES:

1. REFERENCE SHEET 1 FOR UNSPECIFIED NOTES AND DIMENSIONS
2. MX150 BLADE TERMINALS PER SD-33000-001 TO BE USED WITH THIS ASSEMBLY IN CAVITIES A, C, D, E & G, CRIMPED WITH CABLE INSULATION OUTER DIAMETER IN THE RANGE 1.5mm TO 2.7mm
3. SRC BLADE TERMINALS PER 936420010 PSD MAY BE USED WITH THIS ASSEMBLY IN CAVITIES B AND F, CRIMPED WITH 2.5mm<sup>2</sup> (13AWG) CABLE INSULATION OUTER DIAMETER IN THE RANGE 2.7mm TO 3.0mm
4. MATES WITH: SRC2 84 WAY 2.5 RECEPTACLE HOUSING ASSEMBLY PART NUMBER 932878425 PER 932870001 PSD

<b>QUALITY SYMBOLS</b> ▽ = 0 ▽ = 0 ▽ = 0 ▽ = 0 ▽ = 0 ▽ = 0 ▽ = 0 ▽ = 0 ▽ = 0 ▽ = 0	THIS DRAWING CONTAINS INFORMATION THAT IS PROPRIETARY TO MOLEX ELECTRONIC TECHNOLOGIES, LLC AND SHOULD NOT BE USED WITHOUT WRITTEN PERMISSION											
	REPLACE SD-93288-001 EC NO: 102579 DRWN: AJOBRIEN CHK'D: SMCGREEVY APPR: JDWALLACE	2016/01/21	2016/01/22	2016/01/26	GENERAL TOLERANCES (UNLESS SPECIFIED)		DIMENSION UNITS		SCALE			
					ANGULAR TOL ± 0.5 °		MM		1:1			
		4 PLACES	±		AJOBRIEN		DATE		2016/01/21			
		3 PLACES	±		CHK'D BY		DATE		SMCGREEVY 2016/01/22			
		2 PLACES	± 0.2		APPR BY		DATE		JDWALLACE 2016/01/26			
	1 PLACE	± 0.5		DRAWING SIZE		THIRD ANGLE PROJECTION		SERIES		MATERIAL NUMBER		
	0 PLACES	±		A3				93288		SEE NOTES		
	DRAFT WHERE APPLICABLE MUST REMAIN WITHIN DIMENSIONS				CUSTOMER		GENERAL MARKET		DOCUMENT NUMBER		932880001	
					DOC TYPE		PSD		DOC PART		000	
				SHEET NUMBER		2 OF 2						