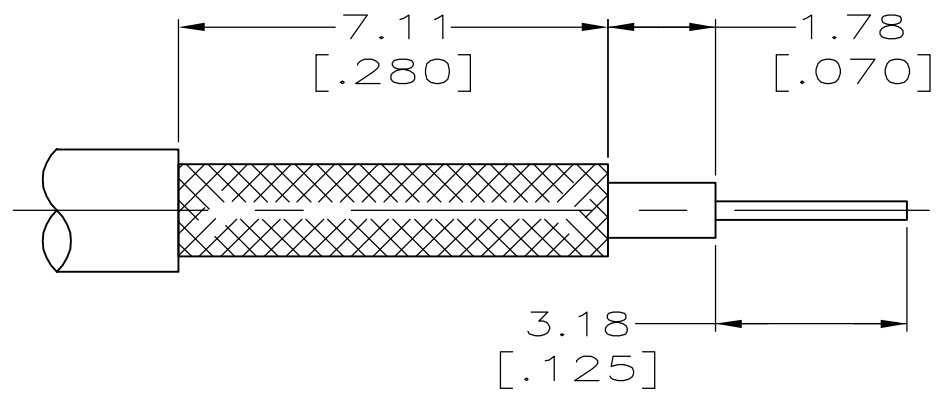


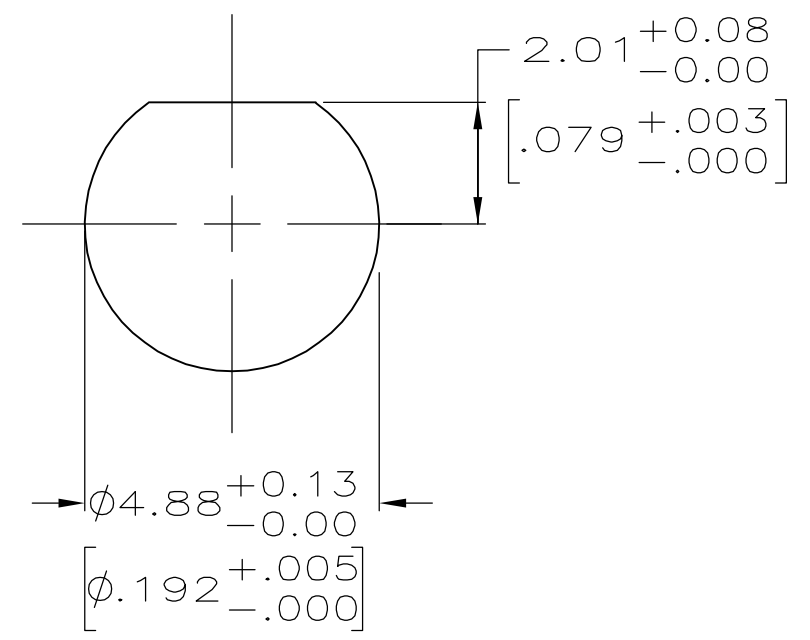
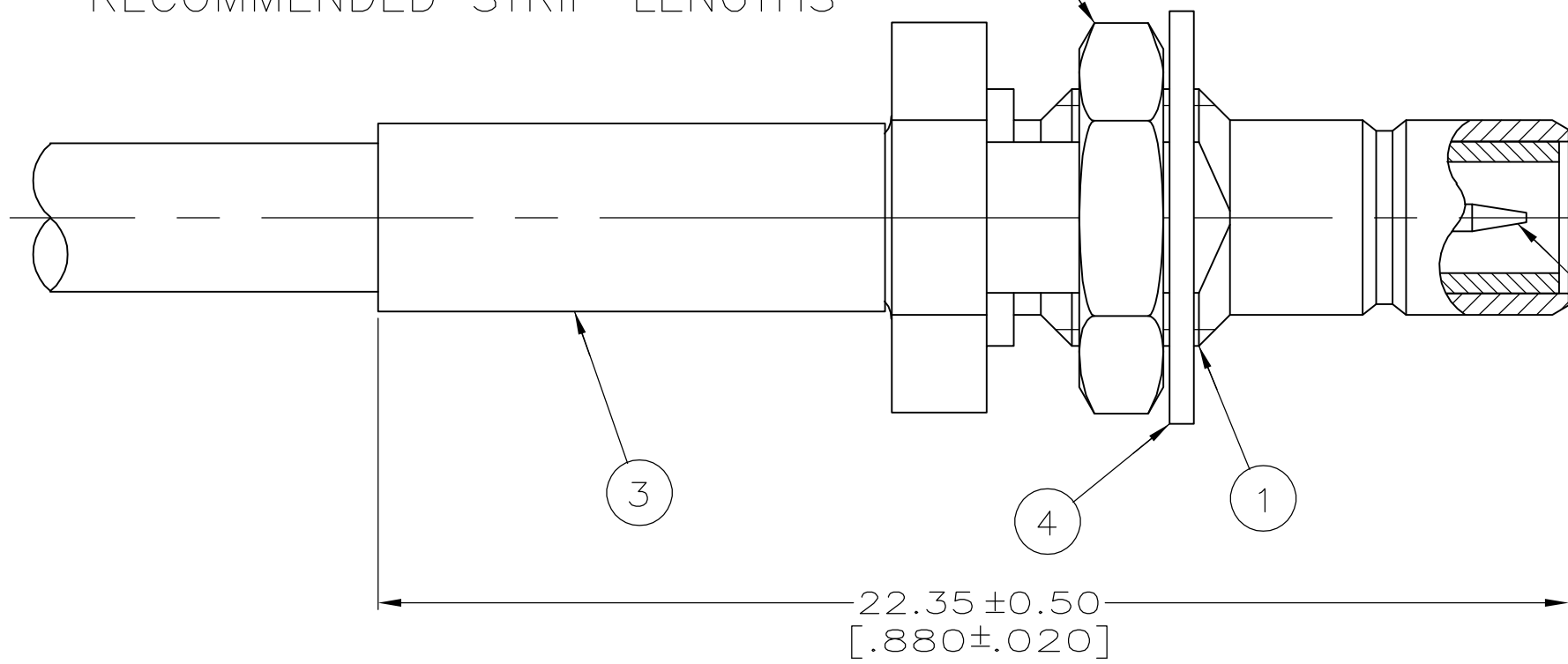
THIS DRAWING IS UNPUBLISHED. RELEASED FOR PUBLICATION  
 © COPYRIGHT BY TYCO ELECTRONICS CORPORATION. ALL RIGHTS RESERVED.

|     |      |           |     |                          |           |     |      |
|-----|------|-----------|-----|--------------------------|-----------|-----|------|
| LOC | DIST | REVISIONS |     |                          |           |     |      |
| AJ  | 16   | P         | LTR | DESCRIPTION              | DATE      | DWN | APVD |
|     |      |           | A   | REVISED PER 0S14-0150-05 | 06OCT2005 | REH | JGH  |



RECOMMENDED STRIP LENGTHS

- 1. PARTS PACKAGED UNASSEMBLED.
- △2 CONTACT CRIMP: CRIMP TOOL MIL-C-22520/5-01 WITH DANIELS POSITIONER K727; SET ON POSITION #2.
- △3 BRAID CRIMP: AMP HAND TOOL PART NUMBER 220190-1 WITH DIE SET PART NUMBER 58046-1, OR HAND TOOL MIL-C-22520/5-01 WITH DANIELS DIE SET NUMBER Y144.
- △4 BRAID CRIMP: AMP HAND TOOL PART NUMBER 220190-1 WITH DIE SET PART NUMBER 59969-2, OR HAND TOOL MIL-C-25520/5-01 WITH DANIELS DIE SET NUMBER Y196.



RECOMMENDED PANEL CUT-OUT

|                   |               |                 |                    |                 |                 |                   |             |
|-------------------|---------------|-----------------|--------------------|-----------------|-----------------|-------------------|-------------|
| RD-316            | △2 △4         | 414969-2        | 415001-2           | 1-413889-4      | 228225-2        | 9-415007-0        | 5415006-2   |
| RG-188/U & -316/U | △2 △3         | 414969-2        | 415001-2           | 1-413889-3      | 228225-2        | 9-415007-0        | 5415006-1   |
| CABLE             | CRIMP TOOLING | 5 JAM NUT QTY=1 | 4 LOCKWASHER QTY=1 | 3 FERRULE QTY=1 | 2 CONTACT QTY=1 | 1 JACK ASSY QTY=1 | PART NUMBER |

THIS DRAWING IS A CONTROLLED DOCUMENT.

|                  |                    |           |   |
|------------------|--------------------|-----------|---|
| DWN              | J. HAVENER         | 31MAR2005 | Tyco Electronics Corporation<br>Harrisburg, PA 17105-3608 |
| CHK              | J. HAVENER         | 31MAR2005 |   |
| APVD             | J. HAVENER         | 31MAR2005 |   |
| PRODUCT SPEC     | NAME               |           |   |
| APPLICATION SPEC | BULKHEAD JACK, SMB |           |   |
| WEIGHT           | —                  | —         | RESTRICTED TO   |
| CUSTOMER DRAWING |                    | SCALE 8:1 | SHEET 1 OF 1  |

SIZE: A3 CAGE CODE: 00779 DRAWING NO: C-5415006

|             |  |
|-------------|--|
| DIMENSIONS: | TOLERANCES UNLESS OTHERWISE SPECIFIED: |
| mm [INCHES] |  |
| 0 PLC       | ± -                                    |
| 1 PLC       | ± -                                    |
| 2 PLC       | ± 0.25 [.010]                          |
| 3 PLC       | ± -                                    |
| 4 PLC       | ± -                                    |
| ANGLES      | ± -                                    |
| MATERIAL    | FINISH                                 |
| —           | —                                      |