

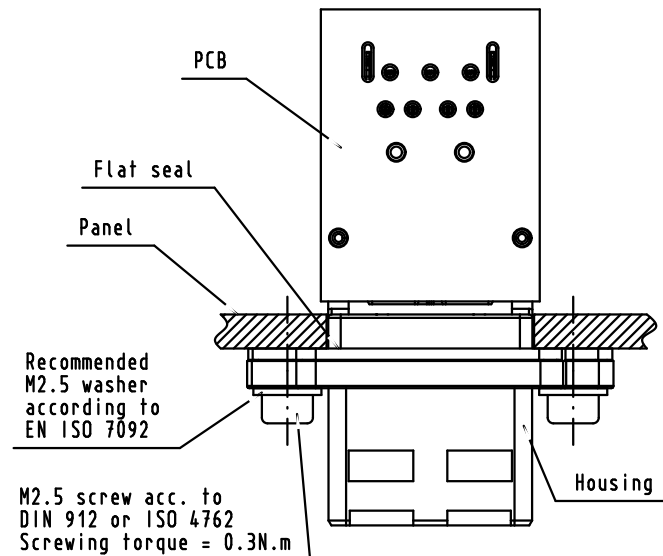
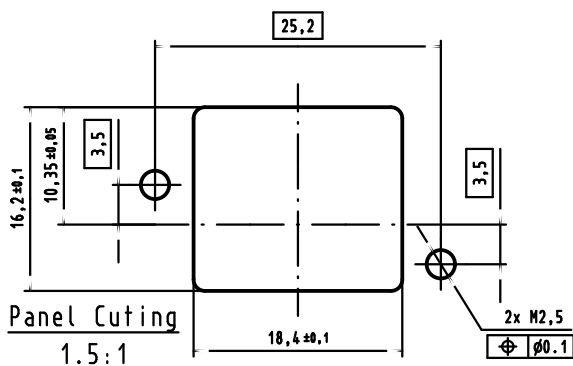
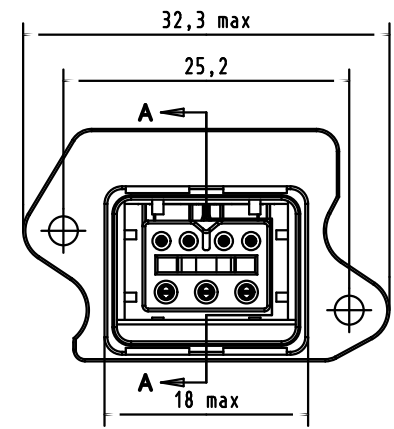
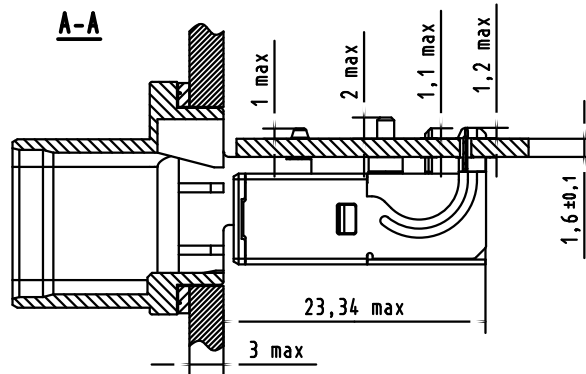
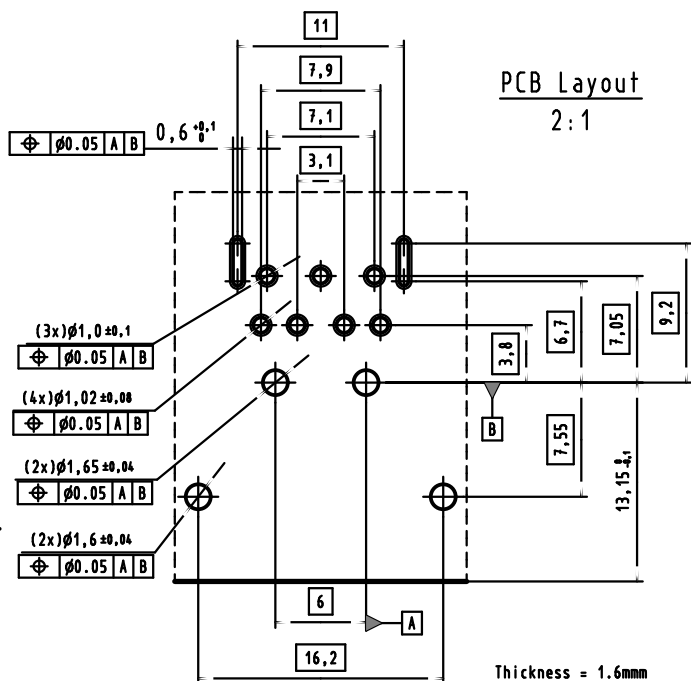
1 2 3 4 5 6

A



B

C

D



Connector pitch on pannel :  
Axis X = 27 mm  
Axis Y = 21 mm

				Dot.	Name	 RJ industrial - Hybrid Push-Pull Angled receptacle set M2.5 screws All Dim. in mm Orig. Size DIN A4	Maßstab/ Scale
			Detail.	13Nov2008	ED		1.5:1
			Insp.				
			Stand.				Blatt/ Page
35411	13Nov2008	ED	HARTING EURL F-95972 Paris			 TB 09 45 245 1310 Sub.	1 1
Mod.	Dot.	Name					