

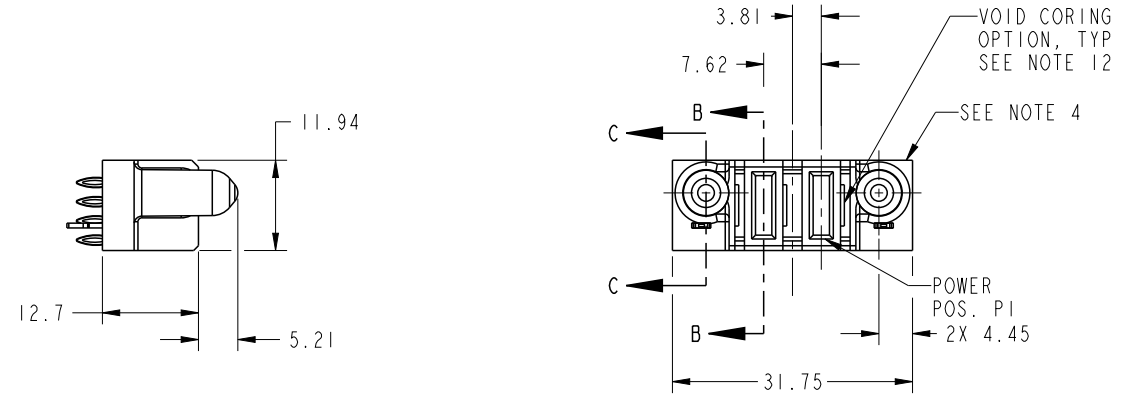
1

2

3

4

PRODUCT NO. 51940-557-- NOTE: 3	POWER			
	E2	P2	P1	E1



CODE	DIM "M" MATING LENGTH	CONTACT TYPE
PC	[1.07]	POWER
HA	[N/A]	HOLD-DOWN



Copyright FCI.

spec ref		SEE NOTES		dr	Luo Weller	2014/11/02	projection 	MM ←→	size	A4	scale	1:1
tolerance std		TOLERANCES UNLESS OTHERWISE SPECIFIED		eng	Luo Weller	2014/11/17			ecn no	-		
SEE NOTES				chr	-	-			rel level	Released		
surface ✓	linear	0.X	±0.50	FCI	title	2ACP	dwg no	51940-557	rev	A		
		0.XX	±0.25									
SEE NOTES	angular	0°	±2°								www.fci.com	cat. no.

PrdE File - REV C - 2009-06-09

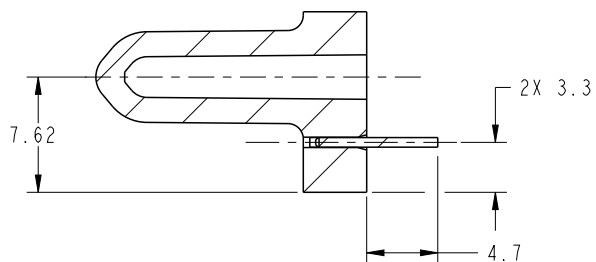
2

3

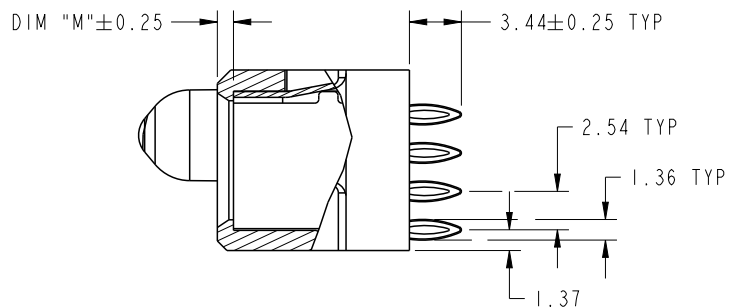
4

PRODUCT NUMBER

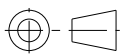
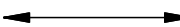

51940-557__
NOTE: 3



SECTION C-C
SCALE 2:1

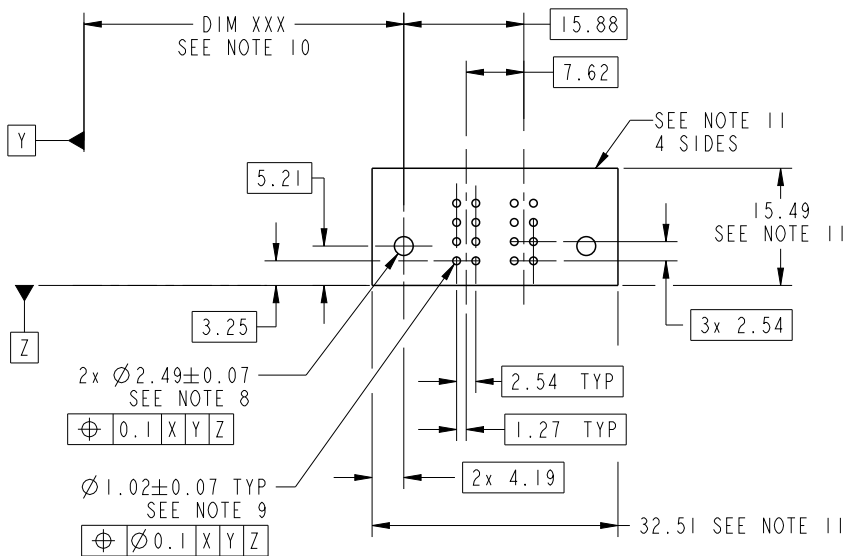


SECTION B-B
SCALE 2:1

dr	Luo Weller	2014/11/02	projection 	MM 	size	A4	scale	1:1	
eng	Luo Weller	2014/11/17			ecn no	-			
chr	-	-			rel level	Released			
appr	Pei-Ming Zheng	2014/11/14	product family	PwrBlade					
		title	2ACP VERTICAL PF RECEIPT		dwg no	51940-557		rev	A
www.fci.com		cat. no.	Product - Customer Drw			sheet 2 of 4			

PRODUCT NUMBER

51940-557__
NOTE: 3



RECOMMENDED PCB LAYOUT

dr	Luo Weller	2014/11/02	projection 	MM 	size	A4	scale	1:1	
eng	Luo Weller	2014/11/17			ecn no	-			
chr	-	-			rel level	Released			
appr	Pei-Ming Zheng	2014/11/14	product family	PwrBlade					
		title	2ACP VERTICAL PF RECEPT		dwg no	51940-557		rev	A
www.fci.com		cat. no.	Product - Customer Drw			sheet 3 of 4			

PRODUCT NUMBER

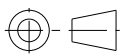
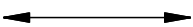

51940-557--
NOTE: 3

NOTES:

1. DIMENSIONS AND TOLERANCES ARE IN ACCORDANCE WITH ASME Y14.5M, 1994 UNLESS OTHERWISE SPECIFIED.

CONNECTOR NOTES:

- 2 HOUSING MATERIAL: UL 94 V-0 GLASS FILLED HIGH-TEMP THERMOPLASTIC
POWER CONTACT MATERIAL: COPPER ALLOY
SIGNAL PIN MATERIAL: COPPER ALLOY
 - 3. SEE ITEM 7 & 8 IN PRINT 10064183 FOR PLATING SPEC OF 51940-557 AND 51940-557LF RESPECTIVELY.
 - 4 MANUFACTURER'S NAME, P/N, AND DATE CODE TO APPEAR ON THIS SURFACE.
 - 5. PRODUCT SPECIFICATION GS-12-149.
APPLICATION SPECIFICATION BUS-20-067.
 - 6. PACKAGED IN TRAYS.
- PCB NOTES:
- 7. ALL HOLE DIAMETERS ARE FINISHED HOLE SIZE.
 - 8 MOUNTING HOLES, WHERE APPLICABLE, ARE UNPLATED.
 - 9 $\varnothing 1.151 \pm 0.025$ DRILLED HOLES PLATED WITH
0.008 MIN SnPb OR Sn OVER 0.03
TO 0.08 Cu PLATING TO ACHIEVE
 $\varnothing 1.02 \pm 0.07$ HOLE.
 - 10 "DIM XXX" TO BE DETERMINED BY THE CUSTOMER.
 - 11 CONNECTOR KEEP-OUT ZONE.
12. THE VOID CORING IN BETWEEN POWER MODULES, SIGNAL MODULES AND END MODULES ARE OPTIONAL AND THE SHAPE MAY BE DIFFERENT FOR OPTIMIZE THE MOLDING PROCESS. THE VOID CORING WILL NOT EFFECT TO PRODUCT FUNCTION.

dr	Luo Weller	2014/11/02	projection 	MM 	size	A4	scale	1:1
eng	Luo Weller	2014/11/17			ecn no	-		
chr	-	-						
appr	Pei-Ming Zheng	2014/11/14	product family	PwrBlade	rel level	Released		
		title 2ACP VERTICAL PF RECEIPT	dwg no 51940-557	rev A				
www.fci.com		cat. no.	Product - Customer Drw			sheet 4 of 4		