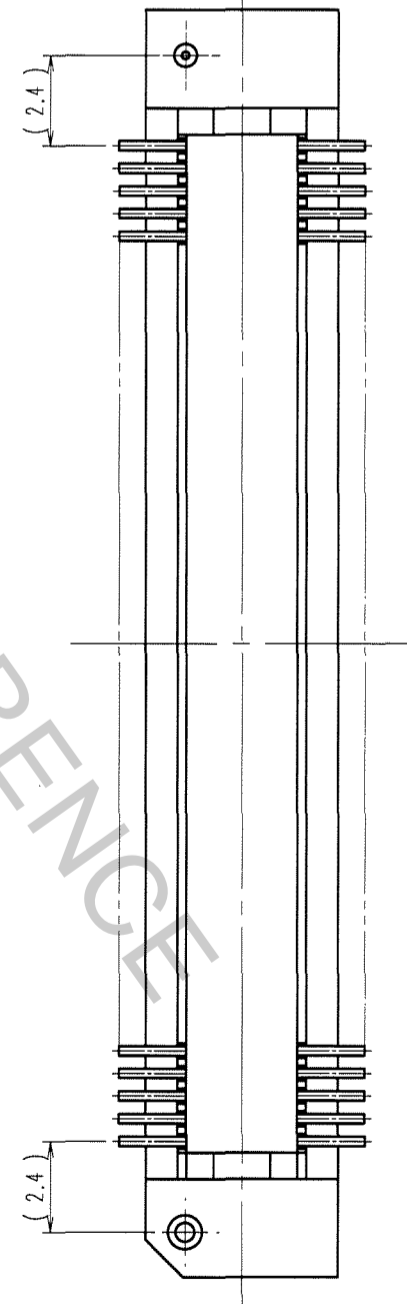
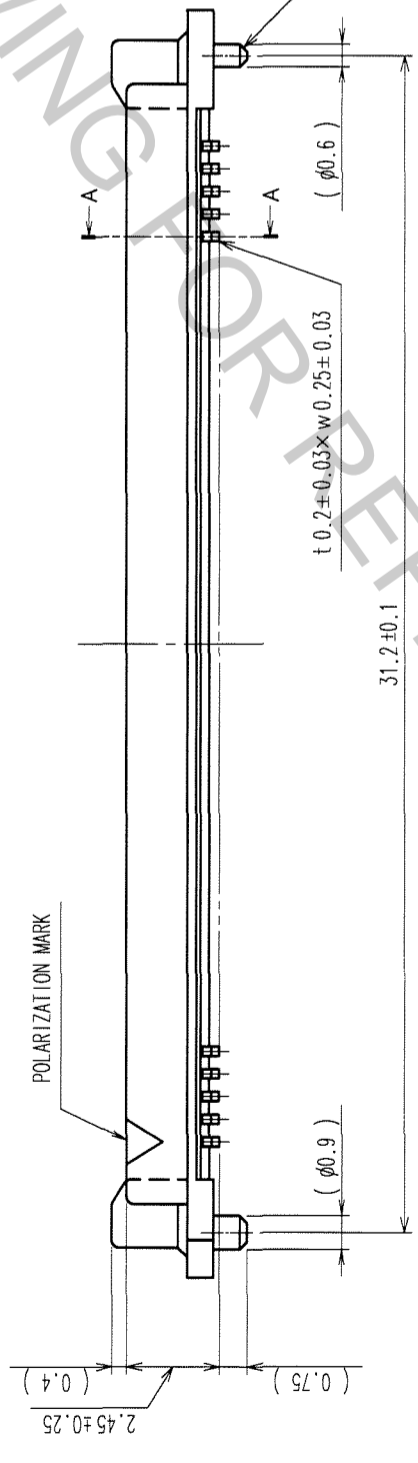
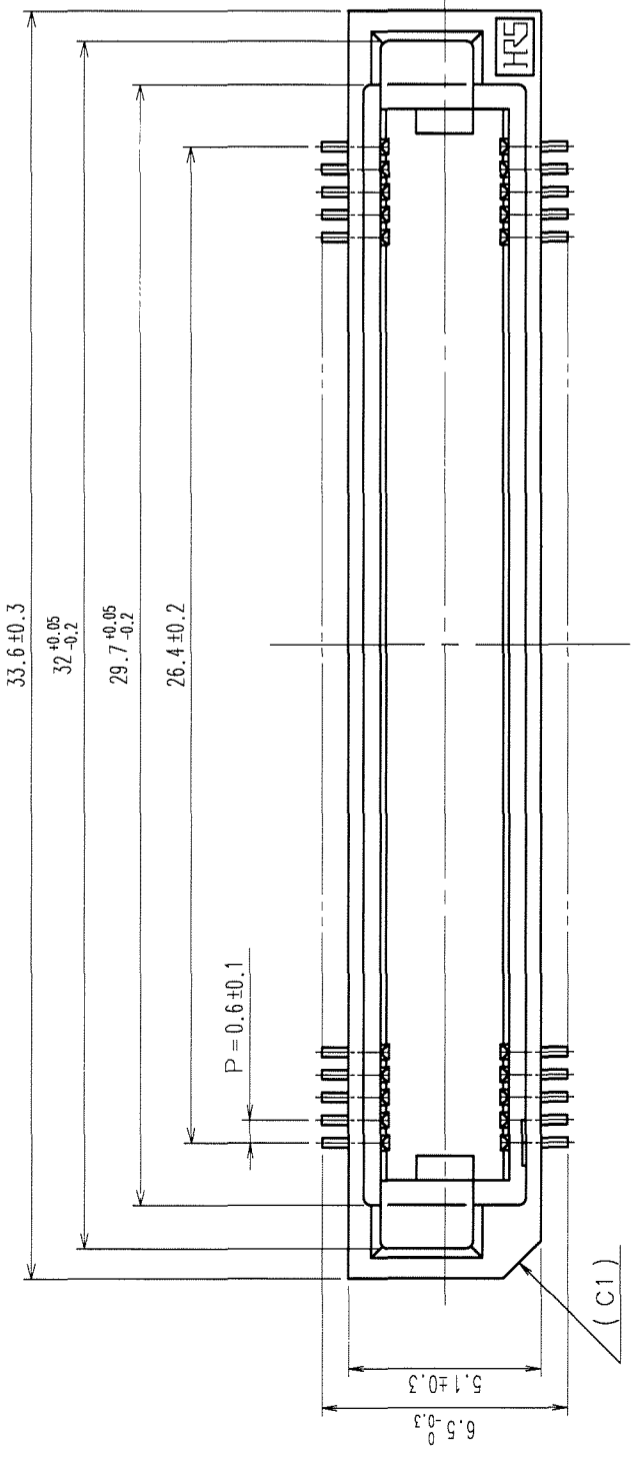
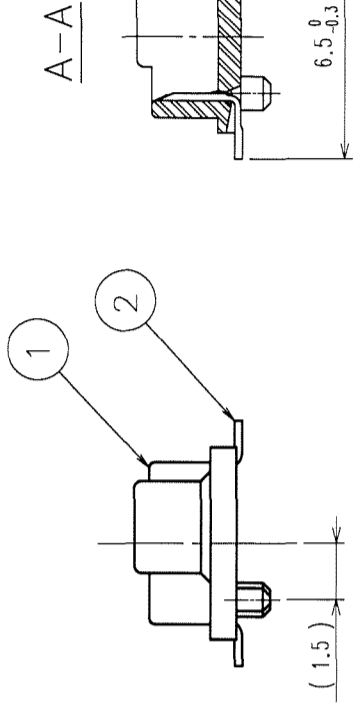
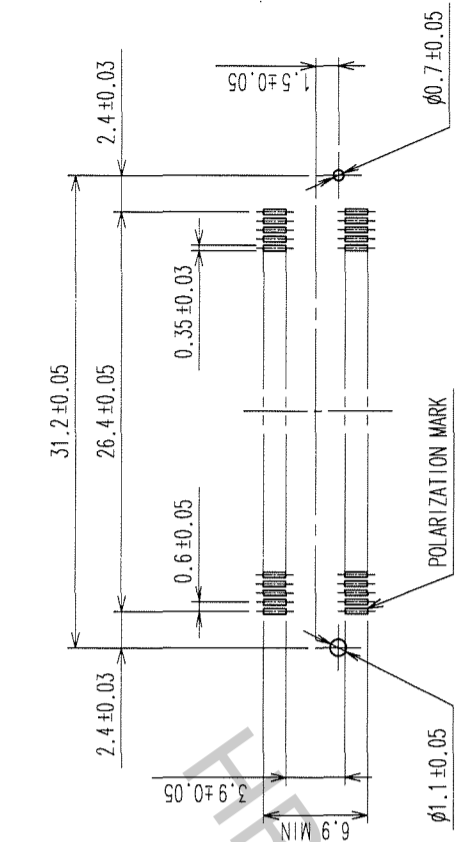


COUNT	DESCRIPTION OF REVISIONS	BY	CHKD	DATE	COUNT	DESCRIPTION OF REVISIONS	BY	CHKD	DATE
△					△				
△									

RECOMMENDED LAND PATTERN DIMENSION OF PCB (MOUNTING SIDE) (2:1)



- NOTE 1. LEAD CO-PLANARITY SHALL BE 0.1mm MAX.
 2. FOR MODIFICATION, ETC., PREVENTIVE HOLE FOR SINK MARK MAY BE ADDED ACCORDING TO CIRCUMSTANCES.
 3. THE DIMENSIONS IN PARENTHESES ARE FOR REFERENCE.

NO.	MATERIAL	FINISH, REMARKS	NO.	MATERIAL	FINISH, REMARKS
1	PPS	LIGHT BROWN (UL94V-0)	2	PHOSPHOR BRONZE	
CODE NO. (OLD) CL		DRAWN T. YANAGISAWA '05.11.09		DESIGNED K. Ogawa '05.11.09	CHECKED H. Okawa '05.11.09
DRAWING NO. EDC3-150565-25		PART NO. FX8-90P-SV(71)		APPROVED H. Okawa '05.11.09	
SCALE 5:1		CODE NO. CL578-0004-4-71		RELEASED	
UNITS mm		HIROSE ELECTRIC CO., LTD			

TO