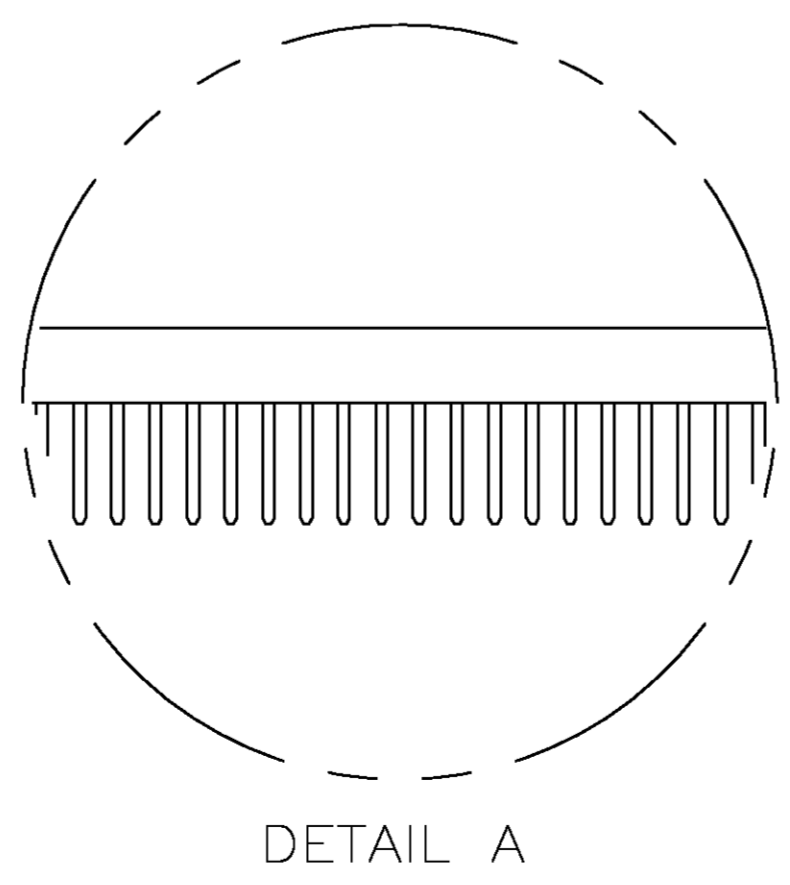


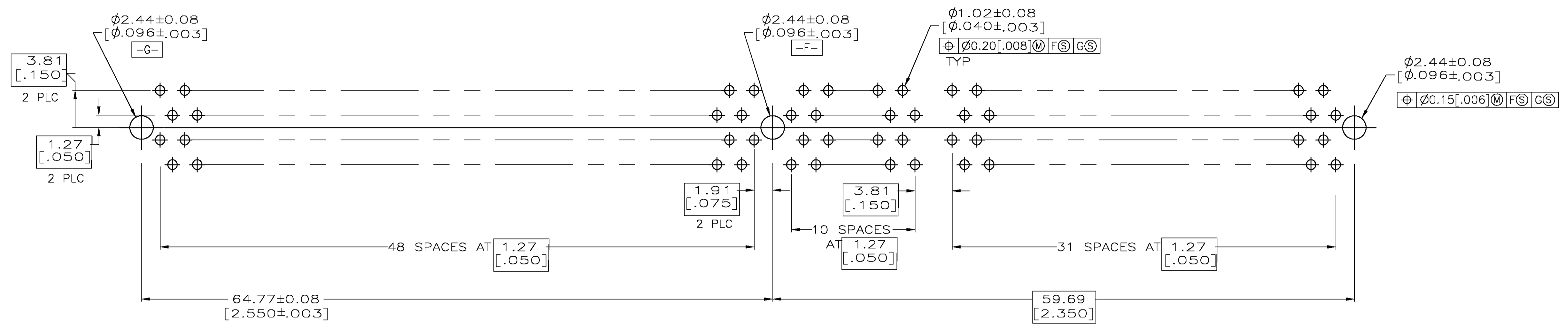
SEE SHEET 2 FOR HOLE PATTERN

- ① HOUSING: HIGH TEMPERATURE THERMOPLASTIC. COLOR - NATURAL
- ② CONTACT: PHOSPHOR BRONZE.
- ③ METAL HOLD DOWN: BRASS
- ④ CONTACT FINISH: .001269[.000050] MIN NICKEL ALL OVER. .000757[.000030] GOLD OVER NICKEL IN CONTACT AREA. .002537[.000100] MIN TIN OVER NICKEL ON SOLDER TAILS.
- ⑤ DISTANCE FROM CONTACT POINT TO BOTTOM OF CARD SLOT.
- ⑥ METAL HOLD DOWN FINISH: .001269[.000050] MIN NICKEL ALL OVER, .003809[.000150] MIN TIN ALL OVER.
- ⑦ AMP PART NUMBER, DATE CODE AND CSA LOGO MARKED IN APPROXIMATE LOCATION SHOWN.
- ⑧ CORED OR SOLID SIDE WALLS ARE AT DISCRETION OF AMP INCORPORATED.
- ⑨ CONTACT FINISH: .001269[.000050] MIN NICKEL ALL OVER. .000757[.000030] GOLD OVER NICKEL IN CONTACT AREA. .0000254[.000001] MIN GOLD FLASH OVER NICKEL ON SOLDER TAILS.

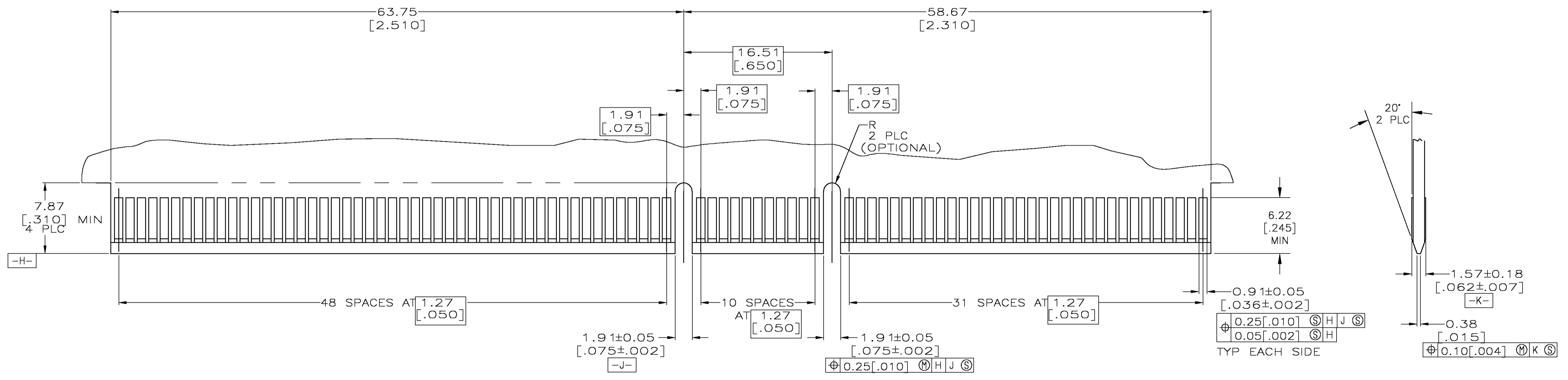


|                |             |           |
|----------------|-------------|-----------|
| ⑨              | 3.18 [.125] | 1658305-2 |
| ④              | 3.18 [.125] | 1658305-1 |
| CONTACT FINISH |             | NUMBER    |
| W              |             |           |

|  |              |                             |   |                  |
|--|--------------|-----------------------------|---|------------------|
| THIS DRAWING IS A CONTROLLED DOCUMENT. |              | DWN: D. FAROLE 02/03/03     | Tyco Electronics Corporation<br>Middletown, PA 17057              |                  |
| DIMENSIONS: INCHES                     |              | CHK: S. BURKHOLDER          | NAME: Electronics   |                  |
| TOLERANCES UNLESS OTHERWISE SPECIFIED: |              | PRODUCT SPEC: 108-14034     | CONNECTION ASSEMBLY, 92 DUAL POSITION, .050 SERIES, STANDARD EDGE |                  |
| 0 PLC ± -                              | 1 PLC ± .01  | APPLICATION SPEC: 114-26012 | SIZE: A1  | CAGE CODE: 00779 |
| 2 PLC ± .005                           | 3 PLC ± .002 | WEIGHT: -                   | DRAWING NO: 1658305   | RESTRICTED TO: - |
| 4 PLC ± -                              | ANGLES ± -   | CUSTOMER DRAWING            | SCALE: 4:1  | SHEET: 1 OF 2    |
| ①                                      | ②            | ③                           | ④   | ⑤                |



RECOMMENDED CONNECTOR MOUNTING HOLE PATTERN  
 (CONNECTOR SIDE SHOWN)



RECOMMENDED MATING BOARD EDGE CONFIGURATION

|  |                       |                               |                  |  |  |
|--|-----------------------|-------------------------------|------------------|--|--|
| THIS DRAWING IS A CONTROLLED DOCUMENT. |                       | DIN<br>D. FAROLE 02/03/03     |                  | Tyco Electronics Corporation<br>Middletown, PA 17057 |  |
| DIMENSIONS:<br>INCHES                  |                       | CHK<br>S. BURKHOLDER 02/04/03 |                  | NAME   | CONNECTOR ASSEMBLY,<br>92 DUAL POSITION,<br>.050 SERIES, |
| TOLERANCES UNLESS OTHERWISE SPECIFIED: |                       | APVD                          | PRODUCT SPEC     | SIZE   | RESTRICTED TO  |
| 0 PLC ± -                              |                       |                               | 108-14034        | A1   |  |
| 1 PLC ± .01                            |                       |                               | APPLICATION SPEC | SCALE  |  |
| 2 PLC ± .005                           |                       |                               | 114-26012        | 4:1  |  |
| 3 PLC ± -                              |                       |                               | WEIGHT           | SHEET  |  |
| 4 PLC ± -                              |                       |                               |                  | 2 OF 2   |  |
| ANGLES ± -                             |                       |                               |                  | REV  |  |
| MATERIAL<br>SEE SHEET 1                | FINISH<br>SEE SHEET 1 | CUSTOMER DRAWING              |                  | SCALE 4:1 SHEET 2 OF 2 REV C                         |  |