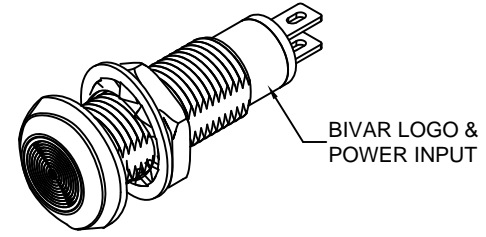
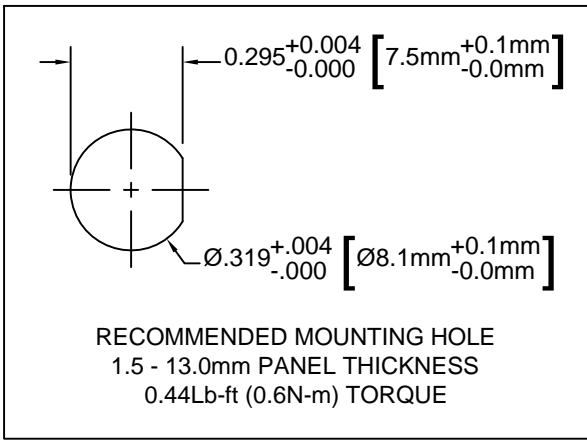
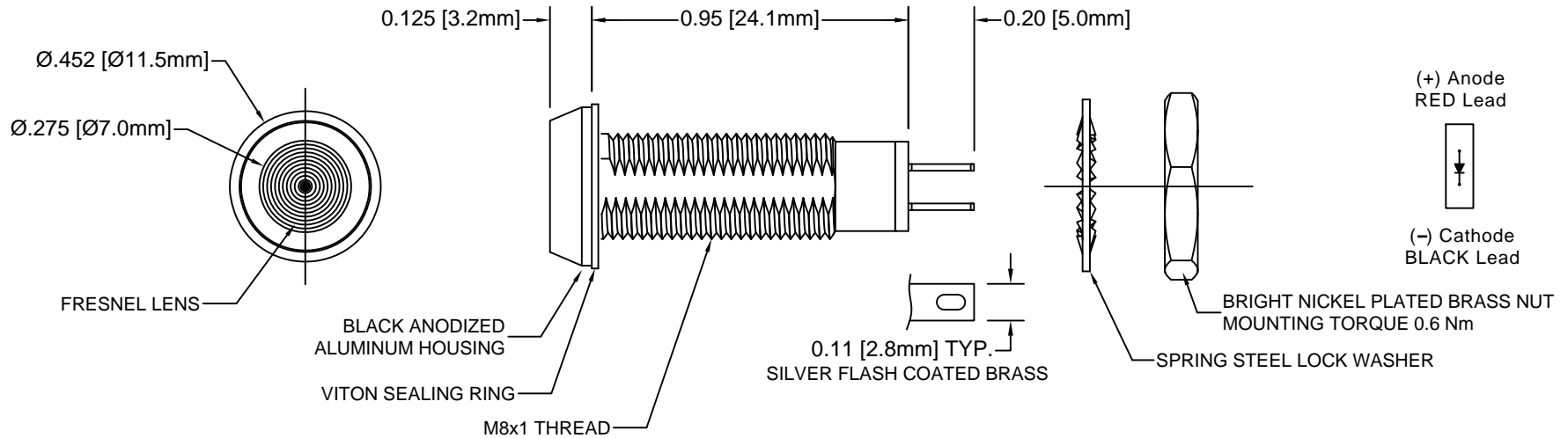


REV.	DESCRIPTION	DATE	APPROVED
A	Engineering Release	04/16/12	T. Y.
B	Engineering Update w/o Changes	08/11/16	J. C.



- NOTES:
1. SEALED TO IP67 RATING
 2. ROHS COMPLIANT
 3. INTEGRAL EMC MESH
 4. MOUNTING HARDWARE SHIPPED NON-ASSEMBLED
 5. INSERT VITON RING ON PANEL MOUNT ASSEMBLY PRIOR TO PANEL INSTALLATION

STANDARD TOLERANCE (UNLESS OTHERWISE SPECIFIED)		 4 THOMAS, IRVINE, CA. 92618 TEL: (949) 951-8808 FAX: (949) 951-3974	
DECIMALS	ANGULAR		
.X ± .1	X° ± 1°		TITLE: IP67 EMC PANEL MOUNT LED ASSEMBLY, 8.1MM MOUNTING
.XX ± .02			
.XXX ± .010		DESIGNED: B. Oliver	DATE: 04/16/12
CHECKED: T. Yin		DATE: 04/16/12	PART NO: PM5-A677XXXV
		CAGE CODE : 32559	REVISION: B
		SHEET # 1 OF 2	CAD GENERATED DOCUMENT. DO NOT MEASURE DRAWING.



REV.	DESCRIPTION	DATE	APPROVED
	SEE SHEET #1		

Part Number	Peak Wave Length λ_p (nm)	Emitted Color	Lens Appearance	Electro-Optical Data @ 10mA		Viewing Angle
				Vf (VDC/VAC)	Iv (mcd)	
				TYP	TYP	
PM5-A677B12V	465	BLUE	SMOKED	12 VDC	400	120
PM5-A677B28V	465	BLUE	SMOKED	24-28 VDC	400	120
PM5-A677G12V	515	GREEN	SMOKED	12 VDC	800	120
PM5-A677G28V	515	GREEN	SMOKED	24-28 VDC	800	120
PM5-A677R12V	630	RED	SMOKED	12 VDC	600	120
PM5-A677R28V	630	RED	SMOKED	24-28 VDC	600	120
PM5-A677Y12V	585	YELLOW	SMOKED	12 VDC	600	120
PM5-A677Y28V	585	YELLOW	SMOKED	24-28 VDC	600	120

Part Number	Chromaticity Coordinates	Emitted Color	Lens Appearance	Electro-Optical Data @ 20mA		Viewing Angle
				Vf (VDC/VAC)	Iv (mcd)	
				TYP	TYP	
PM5-A677W12V	X=0.31 Y=0.32	WHITE	SMOKED	12 VDC	1200	120
PM5-A677W28V	X=0.31 Y=0.33	WHITE	SMOKED	24-28 VDC	1200	120

ABSOLUTE MAXIMUM RATINGS (Ta = 25°C)

MAXIMUM POWER DISSIPATION _____ 700 mW
 OPERATING TEMPERATURE RANGE _____ -40°C ~ 80°C
 STORAGE TEMPERATURE _____ -40°C ~ 100°C

STANDARD TOLERANCE (UNLESS OTHERWISE SPECIFIED) DECIMALS ANGULAR		 4 THOMAS, IRVINE, CA. 92618 TEL: (949) 951-8808 FAX: (949) 951-3974	
			
DESIGNED: B. Oliver	DATE: 04/16/12	TITLE: IP67 EMC PANEL MOUNT LED ASSEMBLY, 8.1MM MOUNTING	
CHECKED: T. Yin	DATE: 04/16/12	PART NO: PM5-A677XXXV	REVISION: B
		CAGE CODE : 32559	SHEET # 2 OF 2
CAD GENERATED DOCUMENT. DO NOT MEASURE DRAWING.			