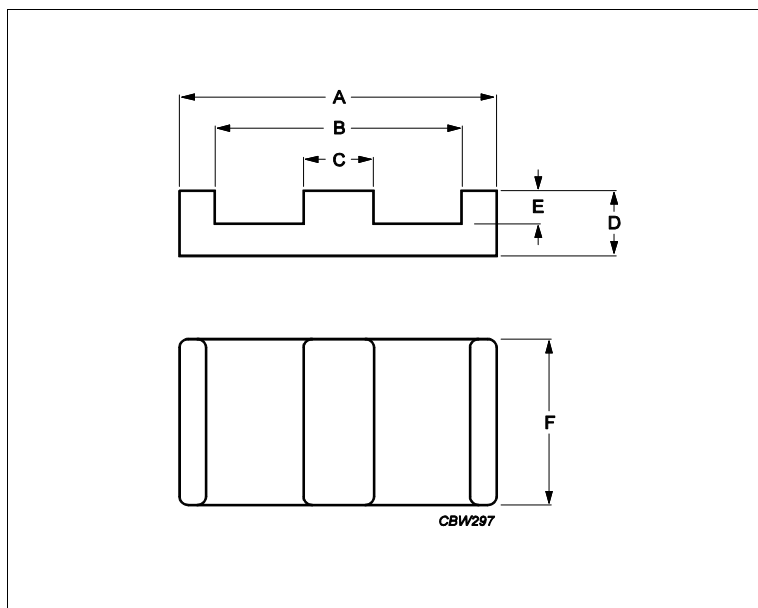
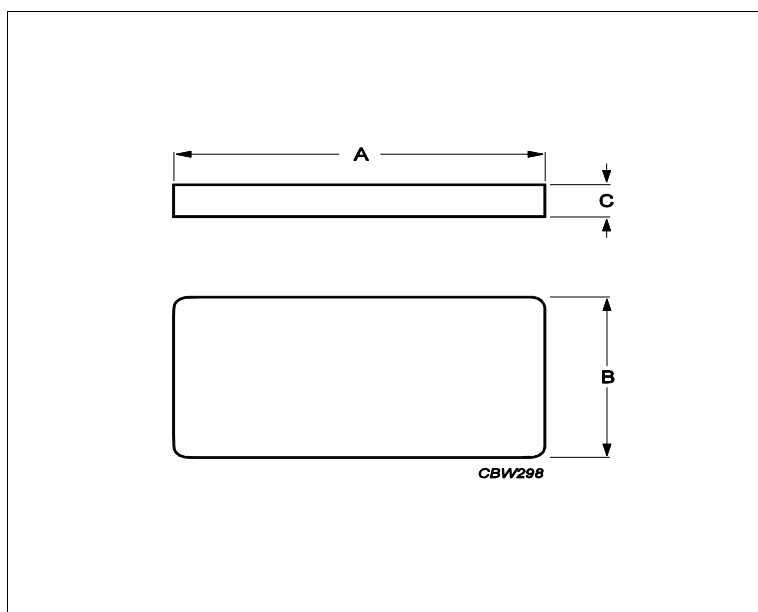


## Core **E58/11/38 + PLT58/38/4**



Effective parameters				
	Parameter	Value	Unit	
	$\Sigma(I/A)$	core factor (C1)	0.224	mm <sup>-1</sup>
	<b>Ve</b>	effective volume	20800	mm <sup>3</sup>
	<b>Le</b>	effective length	67.7	mm
	<b>Ae</b>	effective area	310	mm <sup>2</sup>
	<b>Amin</b>	minimum area	310	mm <sup>2</sup>
	<b>m</b>	E58/11/38	≈ 62	g/pcs
	<b>m</b>	PLT58/38/4	≈ 44	g/pcs



Dimensions for product: E58/11/38						
	Nom	Tol +	Tol -	Max	Min	Unit
<b>A</b>	58.40	1.20	1.20	59.60	57.20	mm
<b>B</b>					50.00	mm
<b>C</b>	8.10	0.20	0.20	8.30	7.90	mm
<b>D</b>	10.50	0.13	0.13	10.63	10.37	mm
<b>E</b>	6.50	0.13	0.13	6.63	6.37	mm
<b>F</b>	38.10	0.80	0.80	38.90	37.30	mm
Dimensions for product: PLT58/38/4						
	Nom	Tol +	Tol -	Max	Min	Unit
<b>A</b>	58.40	1.20	1.20	59.60	57.20	mm
<b>B</b>	38.10	0.80	0.80	38.90	37.30	mm

## Core **E58/11/38 + PLT58/38/4**

Dimensions for product: PLT58/38/4						
	Nom	Tol +	Tol -	Max	Min	Unit
<b>C</b>	4.10	0.13	0.13	4.23	3.97	mm

Inductance factor					
Material	Value	Tol +	Tol -	Unit	
3C92	7770	25%	25%	nH/turns <sup>2</sup>	
3C95	12090	25%	25%	nH/turns <sup>2</sup>	
3C96	9070	25%	25%	nH/turns <sup>2</sup>	
3C97	12090	25%	25%	nH/turns <sup>2</sup>	
3F36	6300	25%	25%	nH/turns <sup>2</sup>	
3F4	4780	25%	25%	nH/turns <sup>2</sup>	

Power loss: 3C92				
Measuring conditions			Max	Unit
100 kHz	200 mT	100 °C	10.000	W/set

Power loss: 3C95				
Measuring conditions			Max	Unit
100 kHz	200 mT	100 °C	10.000	W/set
100 kHz	200 mT	25 °C	11.000	W/set

Power loss: 3C96				
Measuring conditions			Max	Unit
100 kHz	200 mT	100 °C	9.400	W/set
400 kHz	50 mT	100 °C	3.800	W/set

Power loss: 3C97				
Measuring conditions			Max	Unit
100 kHz	200 mT	60 °C	10.000	W/set
100 kHz	200 mT	120 °C	10.000	W/set
100 kHz	200 mT	140 °C	12.000	W/set

Power loss: 3F36				
Measuring conditions			Max	Unit
500 kHz	50 mT	100 °C	3.100	W/set
500 kHz	100 mT	100 °C	24.000	W/set

Power loss: 3F4				
Measuring conditions			Max	Unit
1000 kHz	30 mT	100 °C	6.200	W/set
3000 kHz	10 mT	100 °C	10.000	W/set

Bsat					
Measuring conditions			Material	Min	Unit
25 kHz	250 A/m	100 °C	3C92	370	mT
25 kHz	250 A/m	100 °C	3C95	330	mT
25 kHz	250 A/m	100 °C	3C96	340	mT

---

Core **E58/11/38 + PLT58/38/4**

---

25 kHz	250 A/m	100 °C	3C97	330	mT
25 kHz	250 A/m	100 °C	3F36	340	mT
25 kHz	250 A/m	100 °C	3F4	330	mT