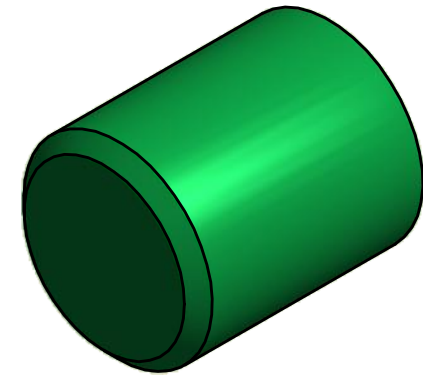
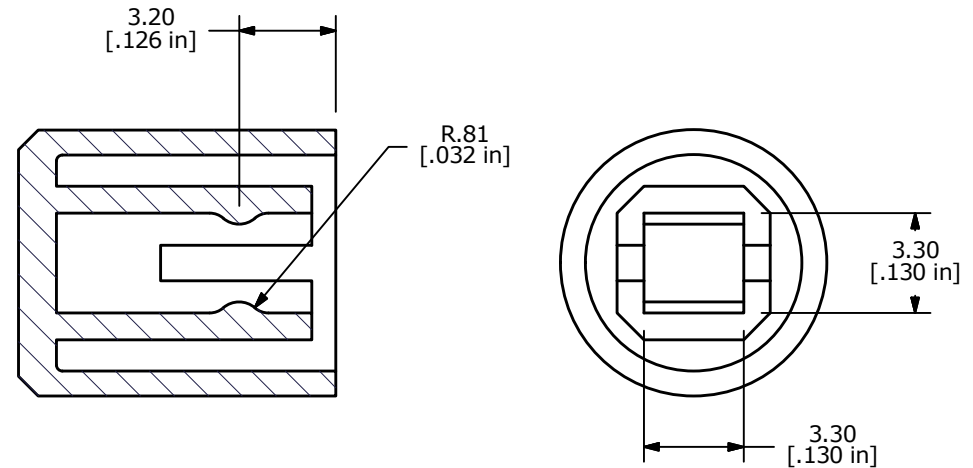
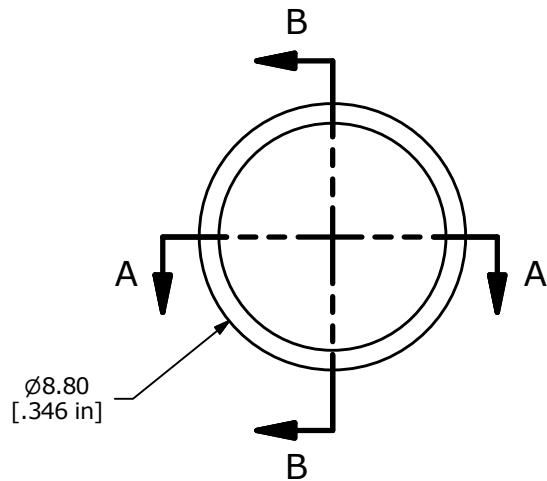


SECTION A-A  
SCALE 4 : 1



ISOMETRIC



SECTION B-B  
SCALE 4 : 1

- NOTES:
1. ALL DIMENSIONS IN MM[INCH]
  2. GENERAL TOLERANCE: X.XX $\pm$ 0.15
  - ▲ 3. MATERIAL: ABS UL94HB
  - ▲ 4. COLOR: GREEN, PANTONE 626C
  5. ▲ DENOTES CRITICAL PARAMETER
  6. 2011/65/EU (ROHS) COMPLIANT

C	17594	CHANGED DETENT RIB PLACEMENT	8/27/07	BF
B	17230	CHANGED NOTE 4	4/26/07	TN
A	16504	NEW RELEASE	10/03/2006	TN
REV	PCR NO	DESCRIPTION	DATE	BY



TITLE TAGGRN				
SCALE 4:1	DATE 8/27/2007	DR BF	DWG T041606	REV C

THE INFORMATION CONTAINED IN THIS DOCUMENT IS PROPRIETARY TO E-SWITCH AND IS NOT TO BE COPIED OR TRANSFERRED